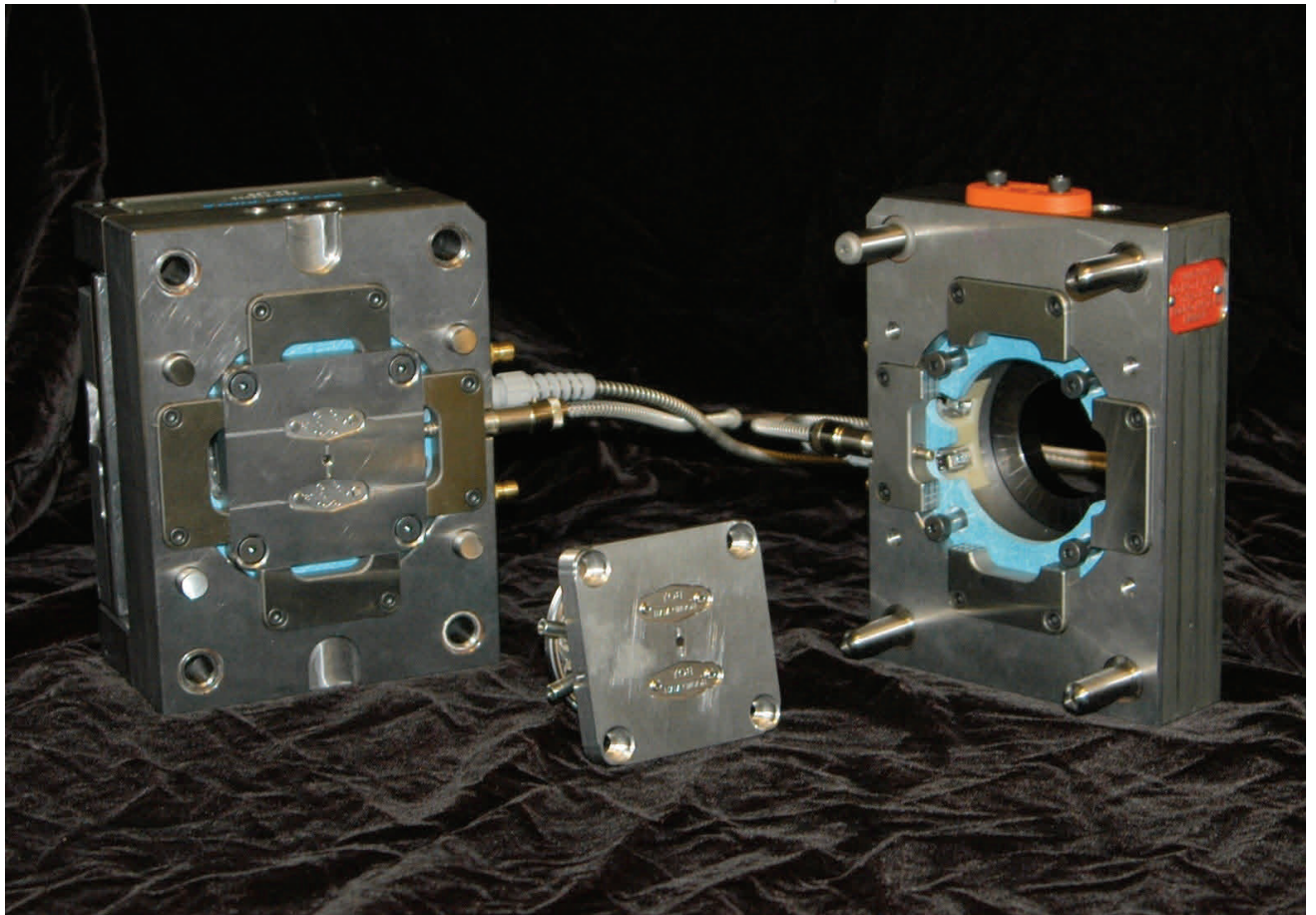
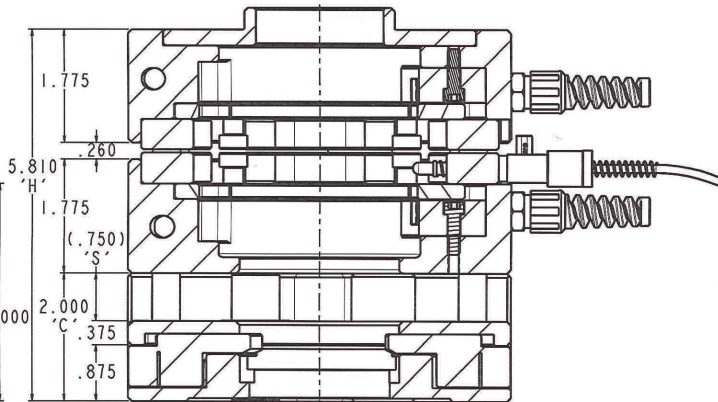
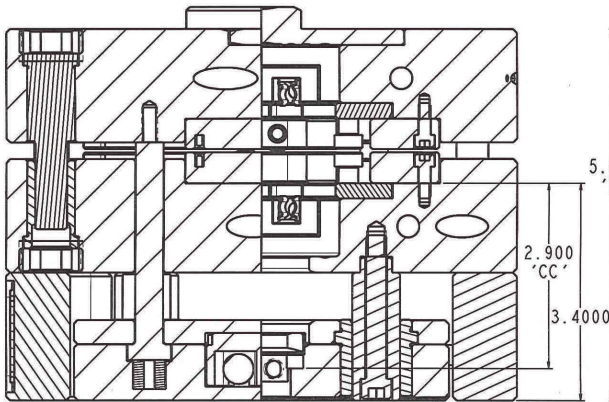
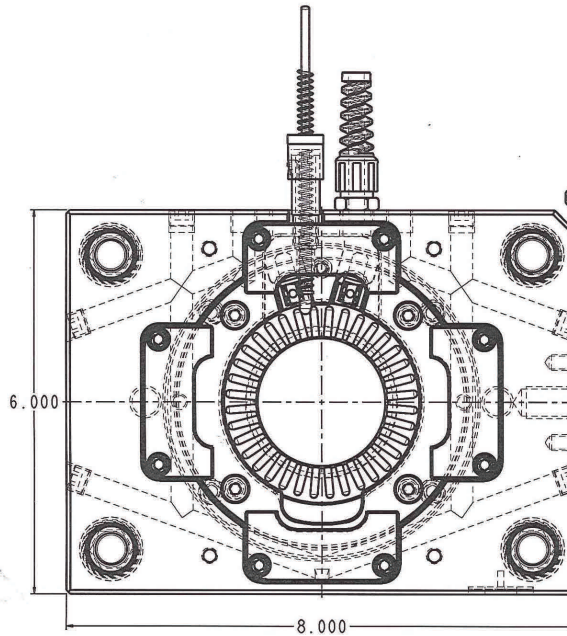
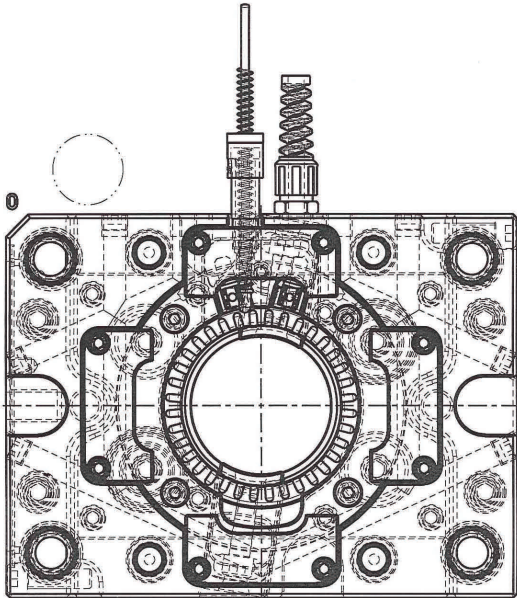


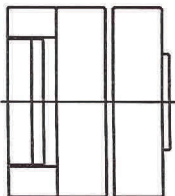
Round Mate Electrically Heated Series



Revision: 2/2012



MICRO SERIES MASTER FRAME

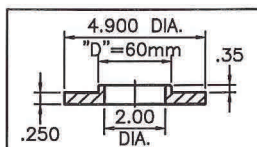
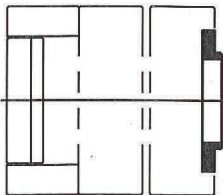


STYLE #	C	CC	H	S
MSF-03512-H	2.000	2.9000	5.810	.750

3 1/2" BOY Micro Frame Components

ROUND MATE®

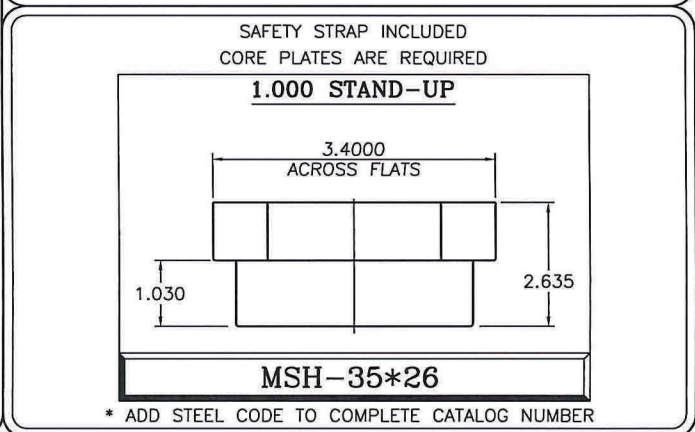
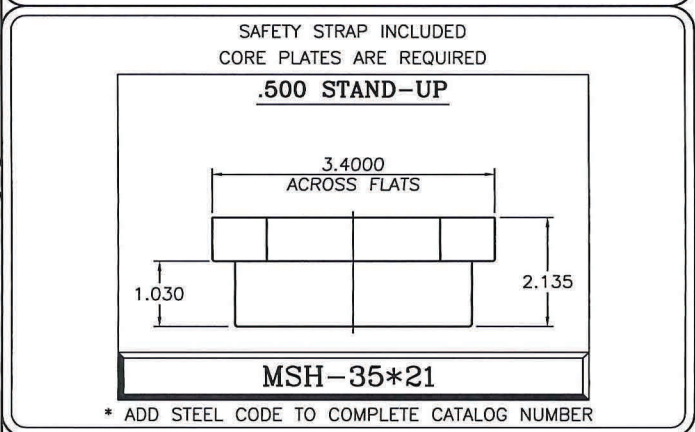
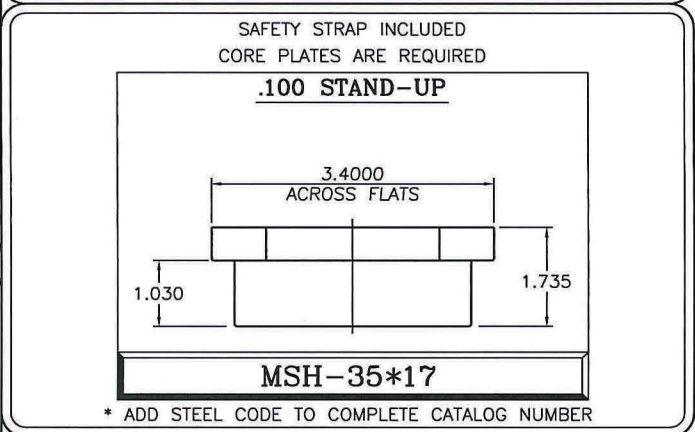
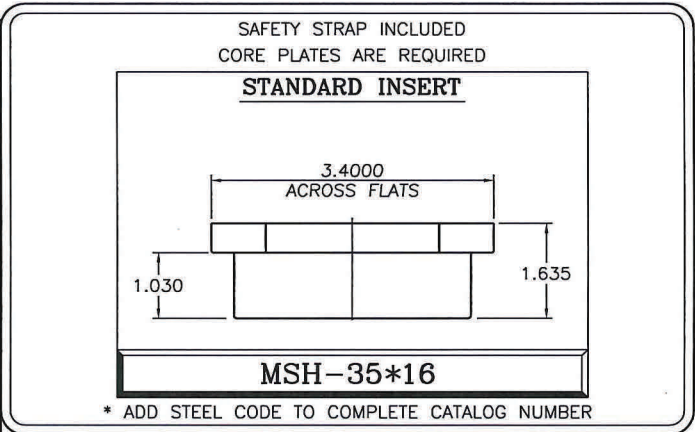
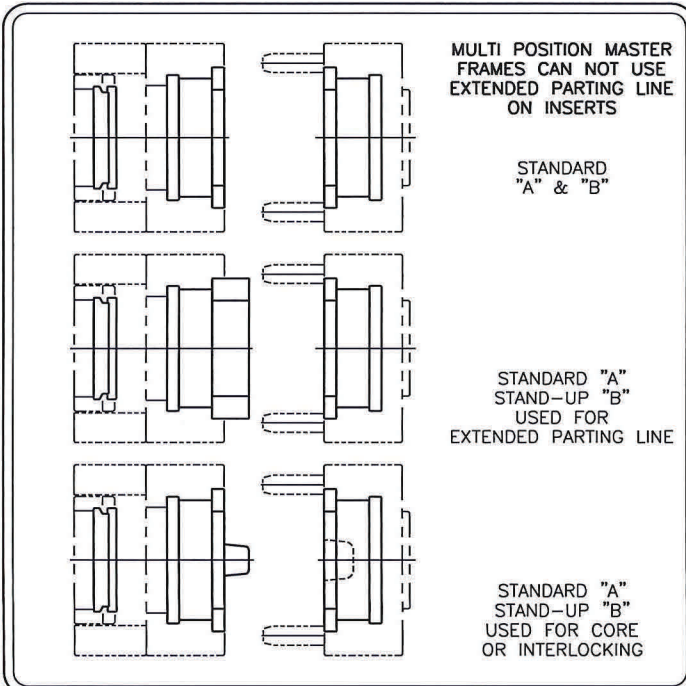
LOCATING RING



MSC-35021-H

MOUNTING SCREWS INCLUDED
MAT'L 4140

3 1/2" Micro Heated Inserts

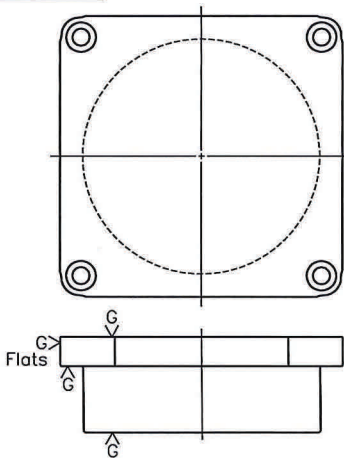


AVAILABLE STEEL

* CODE	STEEL
3	P-20 PRE-HARD 32/34 Rc
4	S-7 ANNEALED
5	H-13 ANNEALED
6	420SS ANNEALED
8	420SS PRE-HARD 32/35 Rc

* USE CODE NUMBER ABOVE TO COMPLETE CATALOG NUMBER FOR INSERTS.

GRIND STOCK

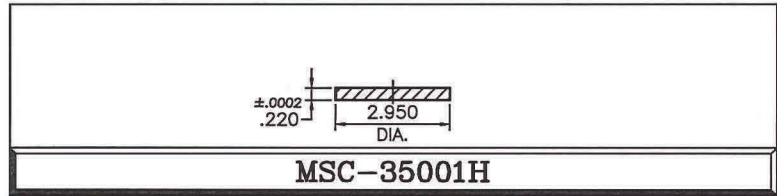
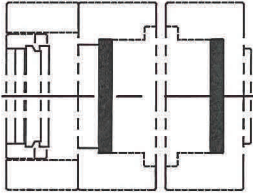


H-13, S-7 & 420SS
HEAT TREATABLE INSERTS
HAVE .005 GRIND STOCK
LEFT ON SURFACES SHOWN
FOR GRIND AFTER HEAT TREAT

3 1/2" Micro Heated Insert Components

ROUND MATE®

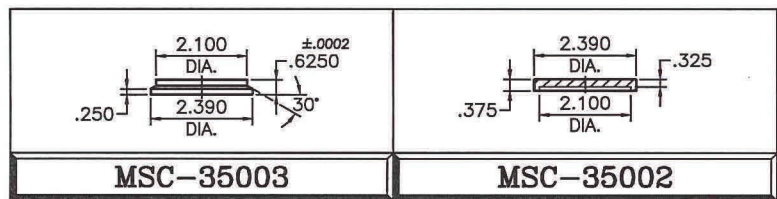
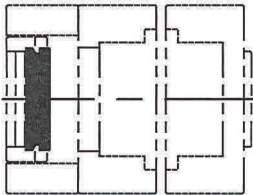
CORE RETAINER PLATE



NOTE: MUST ALWAYS BE USED WITH INSERT.

MAT'L 4140

EJECTOR PLATE ASSEMBLY

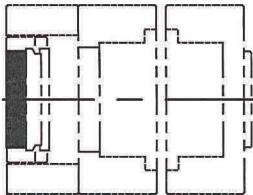


EJECTOR PLATE

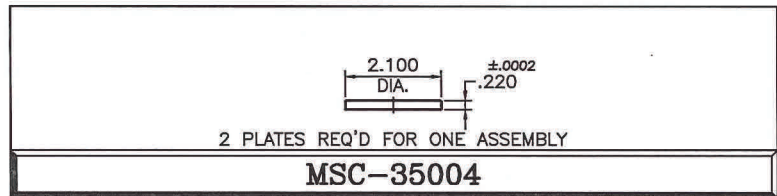
EJECTOR RETAINER PLATE

MAT'L 4140

SLEEVE EJECTION CORE RETAINER PLATES



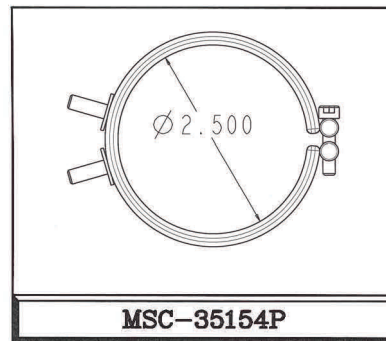
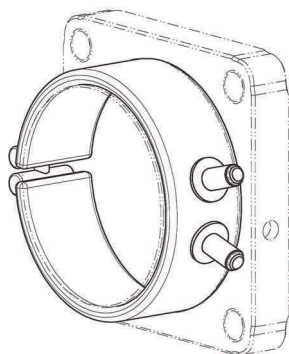
OPTIONAL



MAT'L 4140

INSERT HEATER BAND

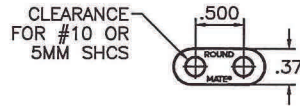
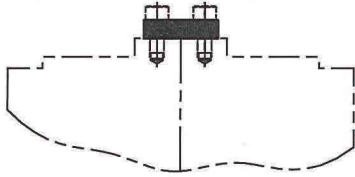
1 SUPPLIED WITH EACH INSERT



3 1/2" Micro Heated Insert Components

SAFETY STRAP

1 SUPPLIED WITH EACH INSERT

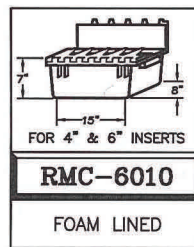
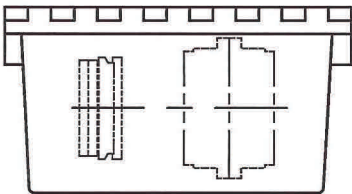


RMC-0017

PACKAGE OF 10

MAT'L NYLON

FITTED STORAGE BOX



RMC-6010

FOAM LINED