

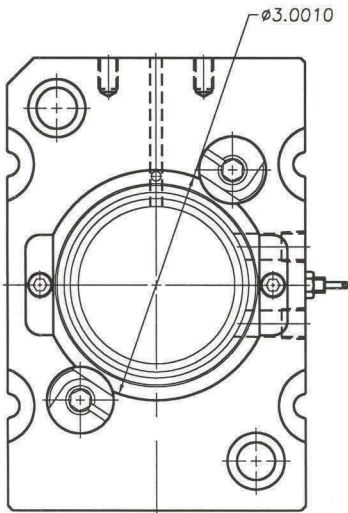
Round Mate Micro Series



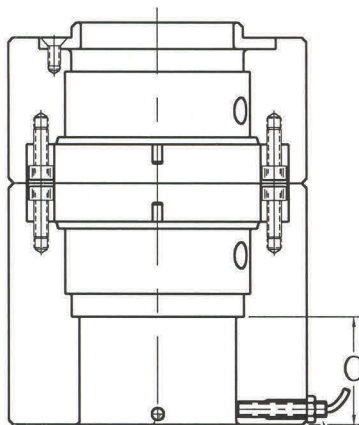
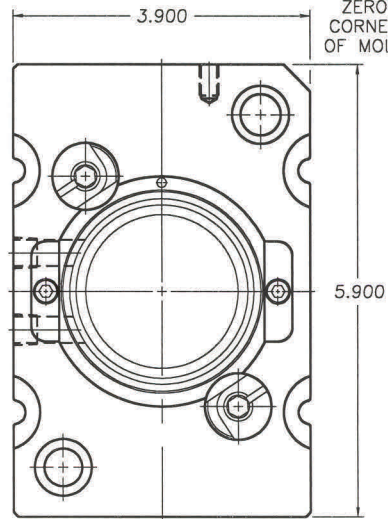
Revision: 2/2012

DESIGNED FOR USE IN
NISSEI HM-7 MOLDER

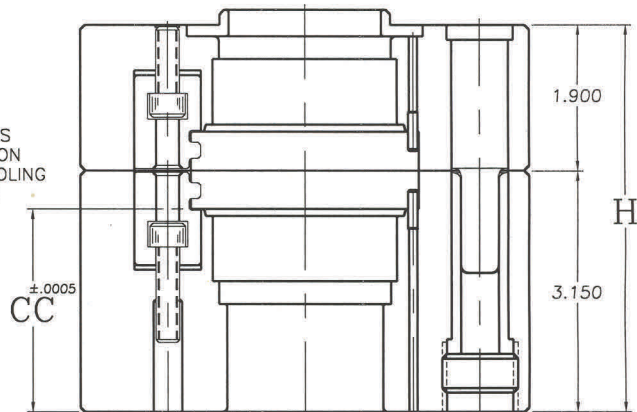
ZERO
CORNER
OF MOLD



ZERO
CORNER
OF MOLD



USE THIS
DIMENSION
FOR TOOLING
INSERTS

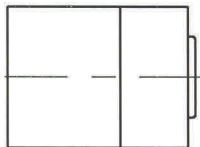


CLEARANCE HOLE IS USED
TO ACCESS SET SCREW IN
EJECTOR PLATE.

MASTER FRAME LIMIT SWITCH INCLUDED.

REFER TO 3" TECHNICAL GUIDE FOR INFORMATION
REGARDING MASTER FRAME LIMIT SWITCH.

MICRO SERIES MASTER FRAME (FOR NISSEI HM-7 APPLICATIONS ONLY)

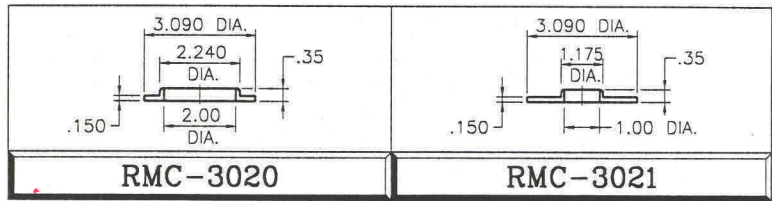
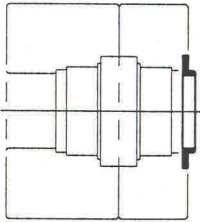


STYLE #	C	CC	H
RMF-0311	1.400	2.6500	5.050

3" Micro Frame Components

ROUND MATE®

LOCATING RING



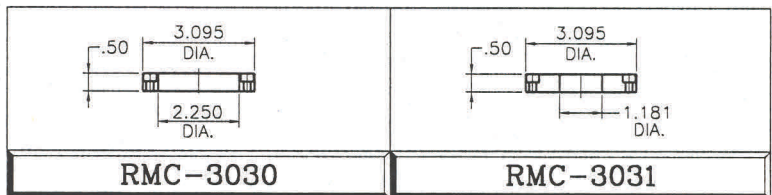
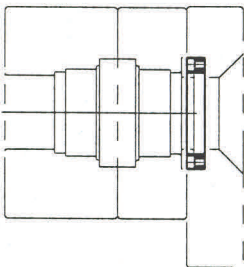
HOT BUSHING MODEL
(REQUIRES PLATEN MODIFICATION)

STANDARD MODEL

MAT'L 4140

PLATEN INSERT

FOR BETTER UTILIZATION OF THE ROUND MATE MASTER FRAME, A PLATEN INSERT CAN BE ADAPTED TO THE STATIONARY PLATEN. MODIFICATION OF THE MACHINE PLATEN IS NECESSARY.

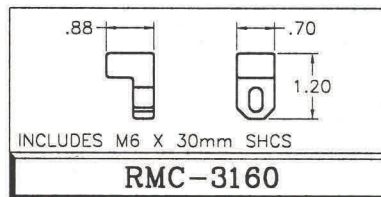
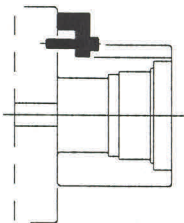


RMC-3030: USED WITH LOCATING RING #RMC-3020 WHEN MORE CLEARANCE IS REQUIRED FOR A HOT BUSHING OR HOT TIP & WIRING.

RMC-3031: USED WHEN RETURNING TO STANDARD LOCATING RING #RMC-3021.

MAT'L 4140

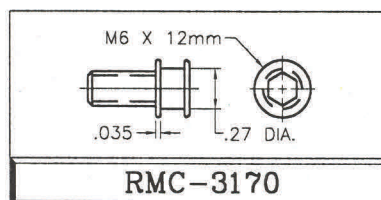
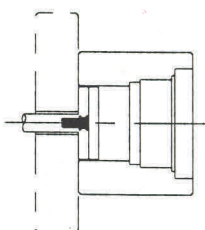
MOLD CLAMP



PACKAGE OF 4

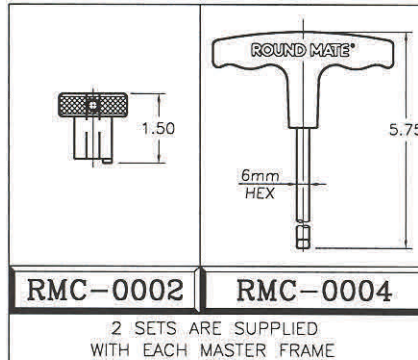
MAT'L 4140

KNOCK-OUT BOLT

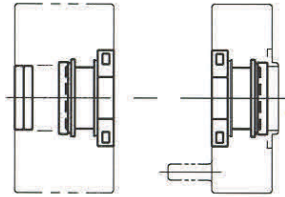


PACKAGE OF 5

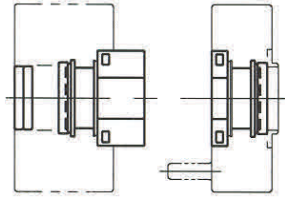
RETAINER/LIFTER - EJECTOR RETAINER WRENCH



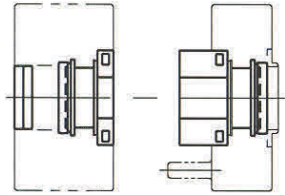
ROUND MATE®



STANDARD
"A" & "B"



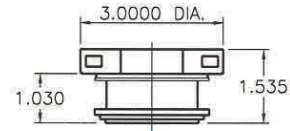
STANDARD "A"
STAND-UP "B"



STAND-UP "A"
STANDARD "B"

WATER DAM AND SAFETY STRAP INCLUDED
CORE PLATES ARE REQUIRED

STANDARD INSERT

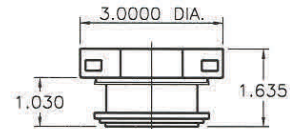


RMI-3*15

* ADD STEEL CODE TO COMPLETE CATALOG NUMBER

WATER DAM AND SAFETY STRAP INCLUDED
CORE PLATES ARE REQUIRED

.100 STAND-UP

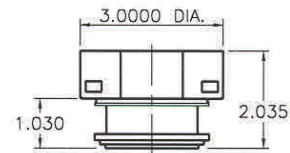


RMI-3*16

* ADD STEEL CODE TO COMPLETE CATALOG NUMBER

WATER DAM AND SAFETY STRAP INCLUDED
CORE PLATES ARE REQUIRED

.500 STAND-UP



RMI-3*20

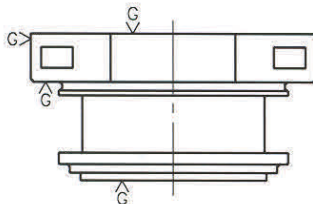
* ADD STEEL CODE TO COMPLETE CATALOG NUMBER

AVAILABLE STEEL

* CODE	STEEL
3	P-20 PRE-HARD 32/34 Rc
4	S-7 ANNEALED
5	H-13 ANNEALED
6	420SS ANNEALED
8	420SS PRE-HARD 32/35 Rc

* USE CODE NUMBER ABOVE TO COMPLETE CATALOG NUMBER FOR INSERTS.

GRIND STOCK

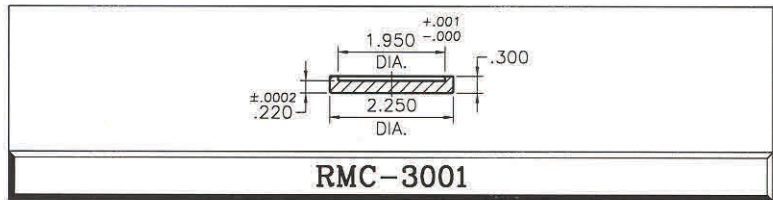
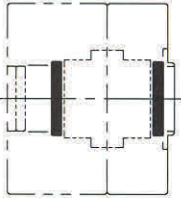


H-13, S-7 & 420SS
HEAT TREATABLE INSERTS
HAVE .005 GRIND STOCK
LEFT ON SURFACES SHOWN
FOR GRIND AFTER HEAT TREAT

3" Micro Insert Components

ROUND MATE®

CORE RETAINER PLATE

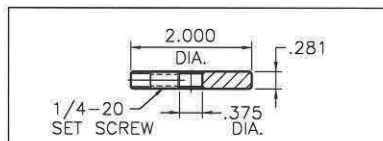
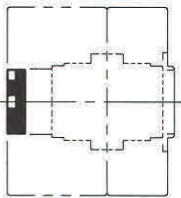


RMC-3001

NOTE: MUST ALWAYS BE USED WITH INSERT

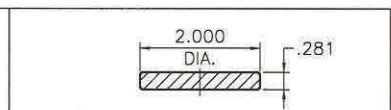
MAT'L 4140

EJECTOR PLATES



RMC-3003

EJECTOR PLATE

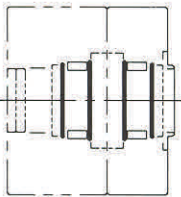


RMC-3002


EJECTOR RETAINER PLATE

MAT'L 4140

O-RINGS



O-RING SET FOR 3" INSERT




SET INCLUDES 2 O-RINGS FOR ONE INSERT

BUNA-N

RMC-3015

2 SETS ARE INCLUDED WITH INSERT SET

O-RING SET FOR 3" INSERT




SET INCLUDES 2 O-RINGS FOR ONE INSERT

VITON - HI TEMP

RMC-3017

ARE AVAILABLE UPON REQUEST

O-RING SET FOR 3" INSERT




PACKAGE OF 10 O-RING SETS

BUNA-N

RMC-3016

ARE AVAILABLE UPON REQUEST

O-RING SET FOR 3" INSERT



PACKAGE OF 4 O-RING SETS

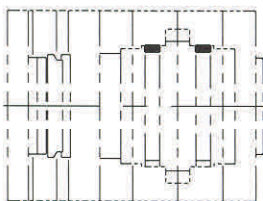
VITON - HI TEMP

RMC-3018

ARE AVAILABLE UPON REQUEST

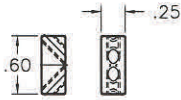
WATER DAM

1 SUPPLIED WITH EACH INSERT



USE IN

3"
4"
6"



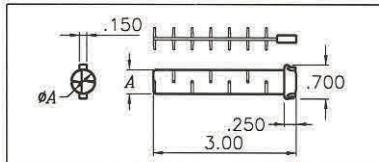
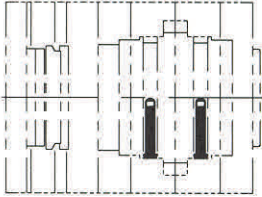
RMC-0010

PACKAGE OF 2 WITH WRENCH AND SAFETY STRAP

MAT'L 416SS

WATER BAFFLE (Packs of 10)

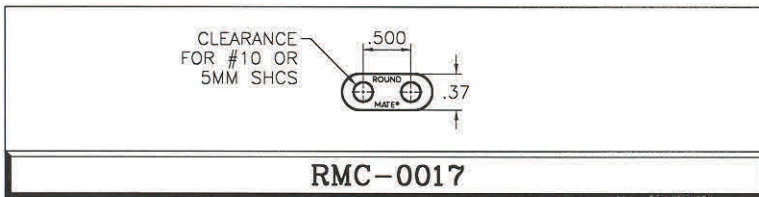
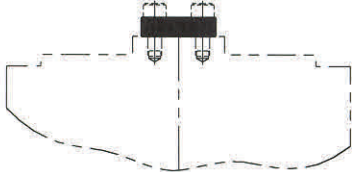
NYLON PLASTIC, NOT FOR HIGH TEMPERATURE APPLICATIONS



A DIM.	FOR USE WITH 3", 4" AND 6" ROUND MATE INSERTS
.312	RMC-0080
.500	RMC-0081

SAFETY STRAP

1 SUPPLIED WITH EACH INSERT



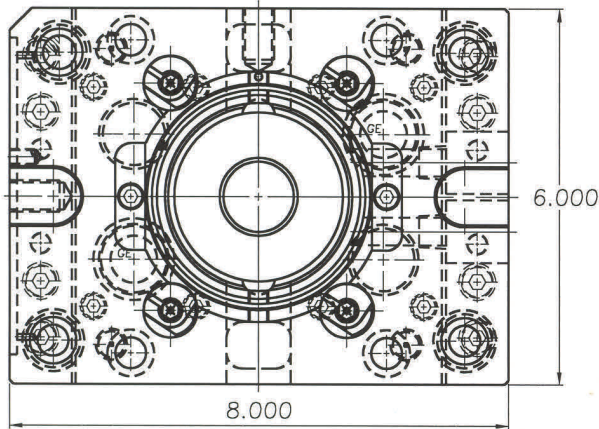
RMC-0017

PACKAGE OF 10

MAT'L NYLON

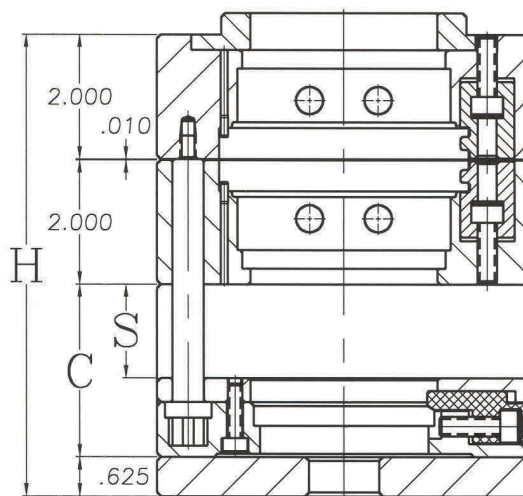
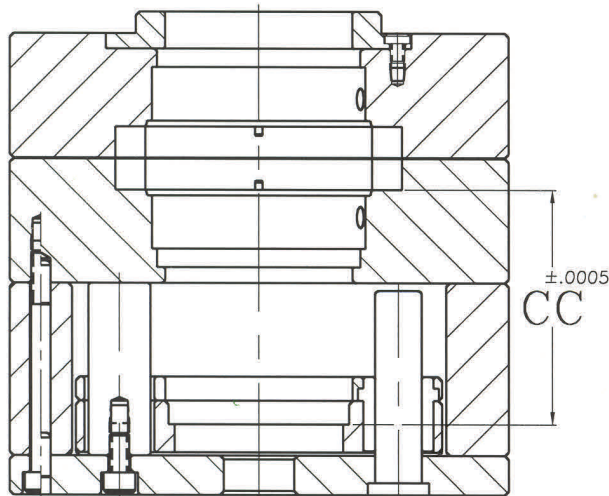
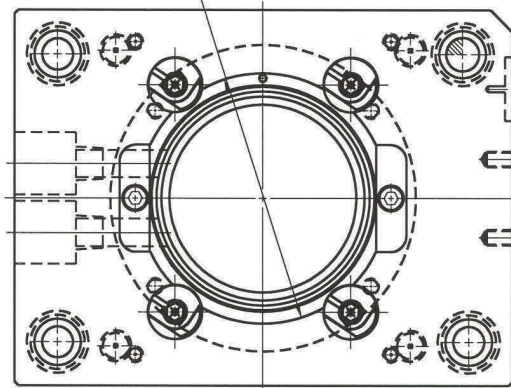
ROUND MATE®

ZERO CORNER
OF MOLD

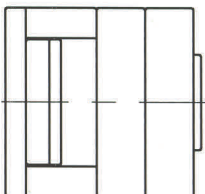


Ø4.0000

ZERO CORNER
OF MOLD



MICRO SERIES MASTER FRAME

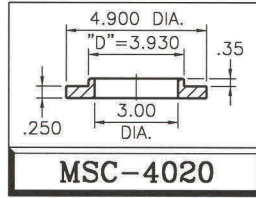
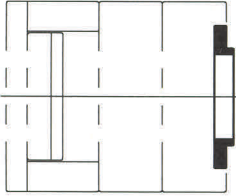


STYLE #	C	CC	H	S
MSF-0413	2.75	3.7500	7.385	1.500

4" Micro Frame Components

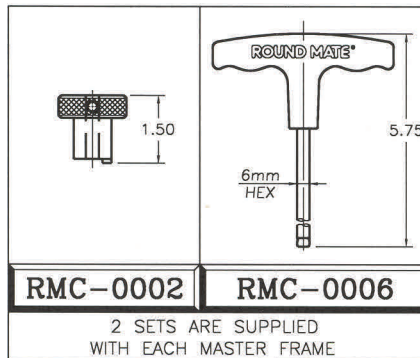
ROUND MATE®

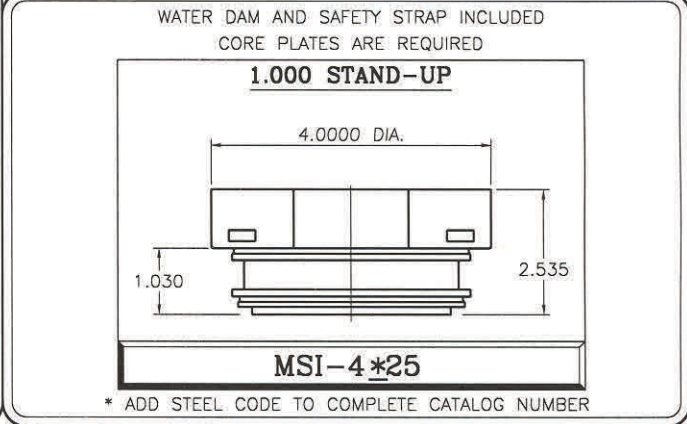
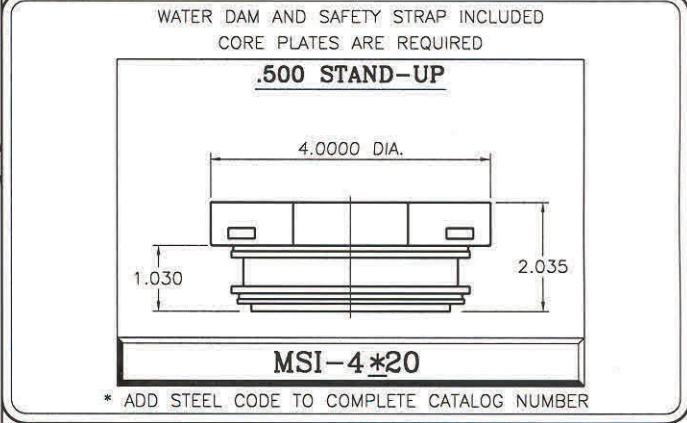
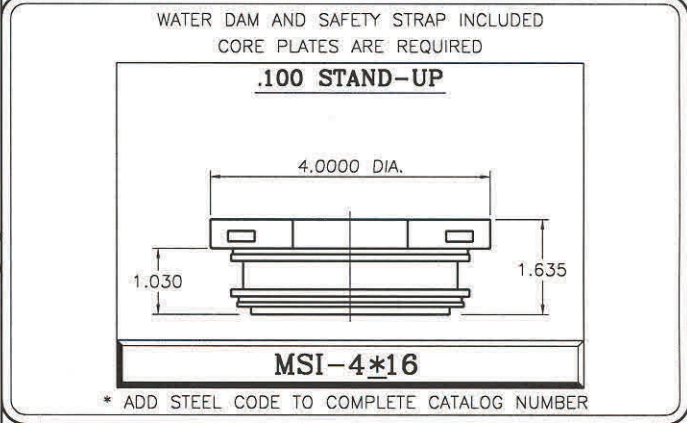
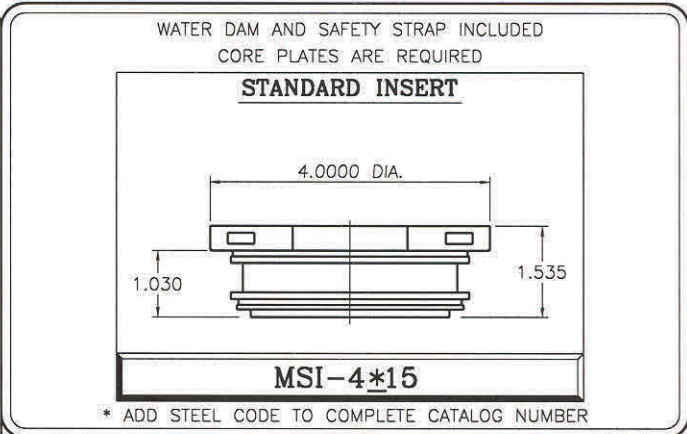
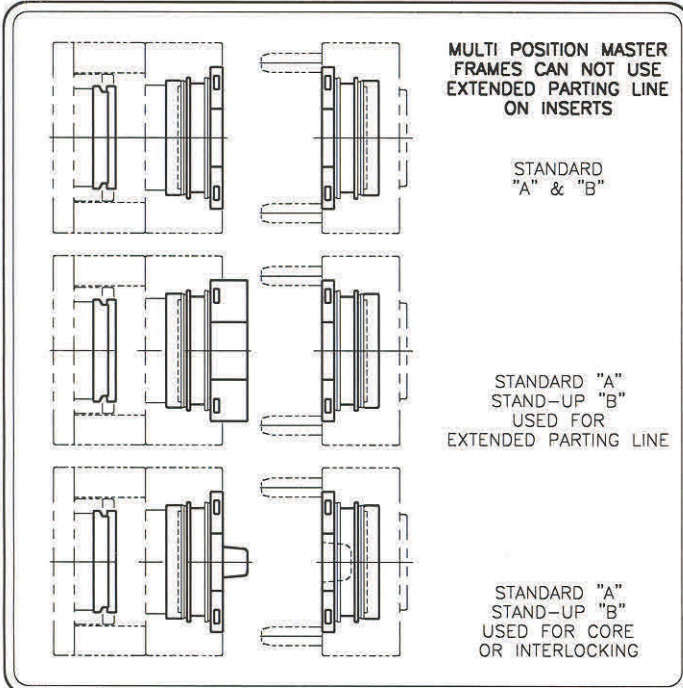
LOCATING RING



MOUNTING SCREWS INCLUDED
MAT'L 4140

RETAINER/LIFTER - EJECTOR RETAINER WRENCH

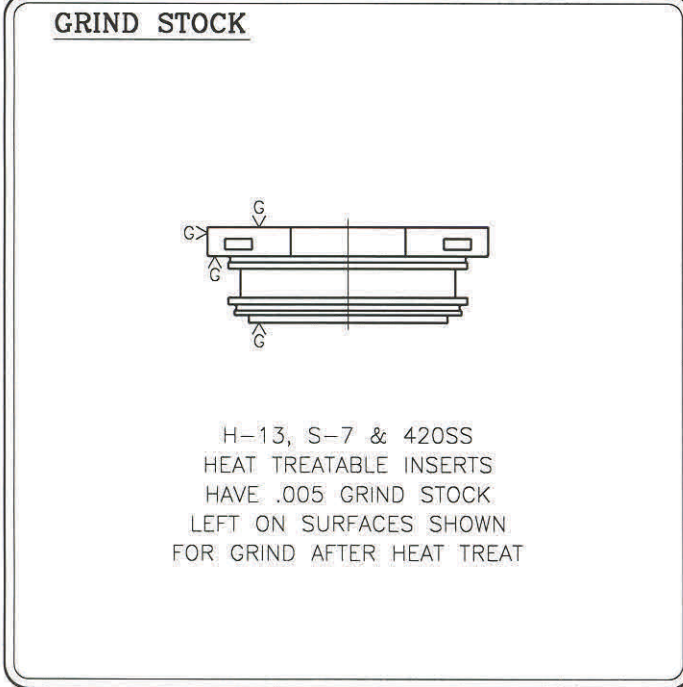




AVAILABLE STEEL

* CODE	STEEL
3	P-20 PRE-HARD 32/34 Rc
4	S-7 ANNEALED
5	H-13 ANNEALED
6	420SS ANNEALED
8	420SS PRE-HARD 32/35 Rc

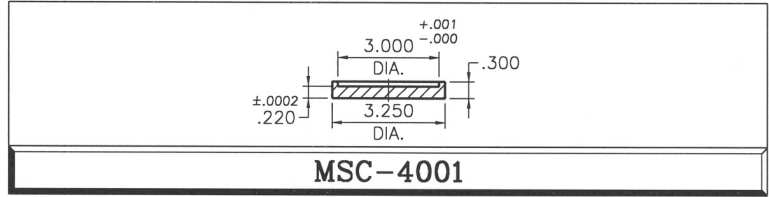
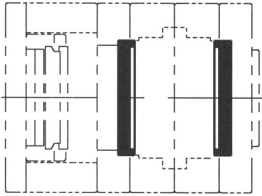
* USE CODE NUMBER ABOVE TO COMPLETE CATALOG NUMBER FOR INSERTS.



4" Micro Insert Components



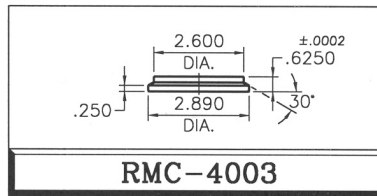
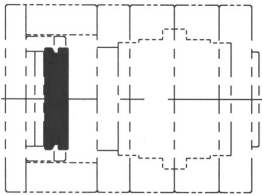
CORE RETAINER PLATE



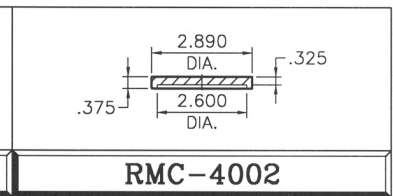
NOTE: MUST ALWAYS BE USED WITH INSERT.

MAT'L 4140

EJECTOR PLATE ASSEMBLY



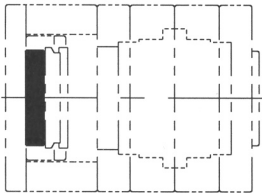
EJECTOR PLATE



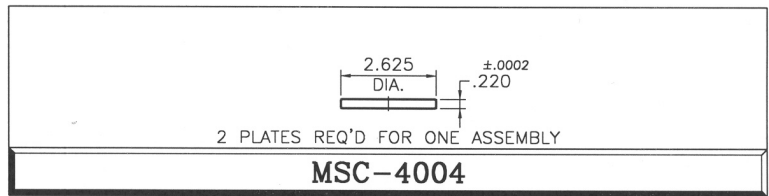
EJECTOR RETAINER PLATE

MAT'L 4140

SLEEVE EJECTION CORE RETAINER PLATES

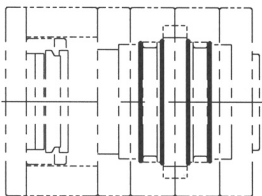


OPTIONAL




MAT'L 4140

O-RINGS



O-RING SET FOR 4" INSERT




BUNA-N

SET INCLUDES 2 O-RINGS FOR ONE INSERT

RMC-4015

2 SETS ARE INCLUDED WITH INSERT SET

O-RING SET FOR 4" INSERT




VITON - HI TEMP

SET INCLUDES 2 O-RINGS FOR ONE INSERT

RMC-4017

ARE AVAILABLE UPON REQUEST

O-RING SET FOR 4" INSERT




BUNA-N

PACKAGE OF 10 O-RING SETS

RMC-4016

ARE AVAILABLE UPON REQUEST

O-RING SET FOR 4" INSERT



VITON - HI TEMP

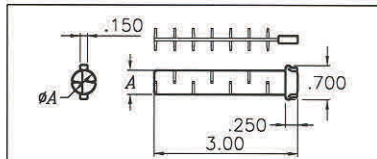
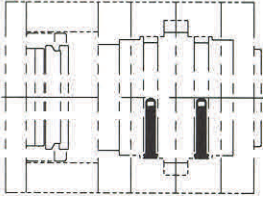
PACKAGE OF 4 O-RING SETS

RMC-4018

ARE AVAILABLE UPON REQUEST

WATER BAFFLE (Packs of 10)

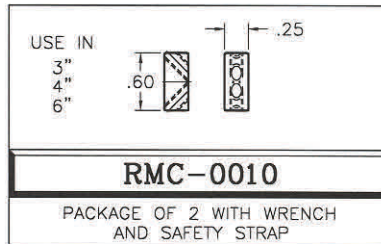
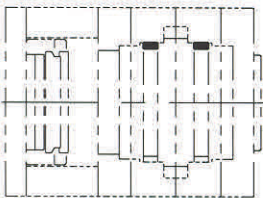
NYLON PLASTIC, NOT FOR HIGH TEMPERATURE APPLICATIONS



A DIM.	FOR USE WITH 3", 4" AND 6" ROUND MATE INSERTS
.312	RMC-0080
.500	RMC-0081

WATER DAM

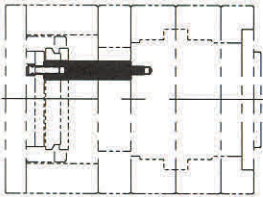
1 SUPPLIED WITH EACH INSERT



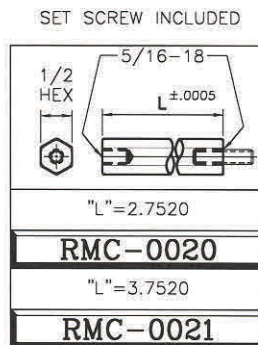
RMC-0010
PACKAGE OF 2 WITH WRENCH AND SAFETY STRAP
MAT'L 416SS

SLEEVE EJECTION SUPPORT PILLAR

OPTIONAL



MOLD MAKER MAY TRIM SUPPORT PILLARS TO LENGTH FOR CUSTOM APPLICATIONS



"L" = 2.7520
RMC-0020
"L" = 3.7520
RMC-0021

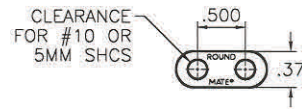
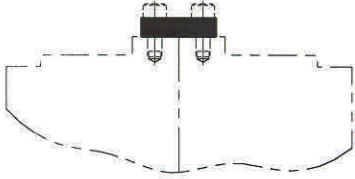
MAT'L 1144

4" Micro Insert Components

ROUND MATE®

SAFETY STRAP

1 SUPPLIED WITH EACH INSERT

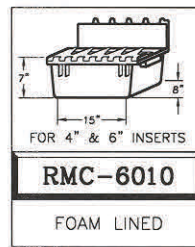
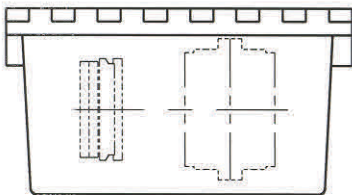


RMC-0017

PACKAGE OF 10

MAT'L NYLON

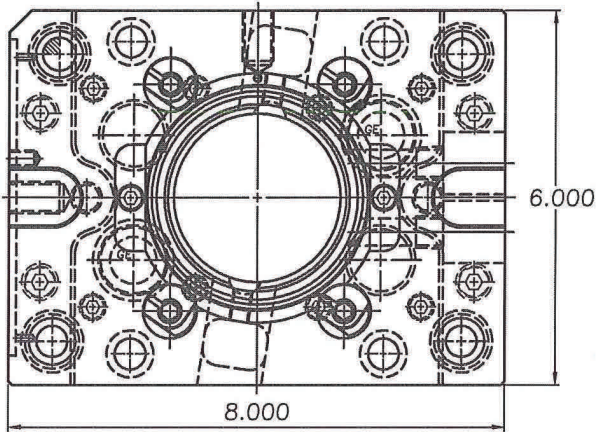
FITTED STORAGE BOX



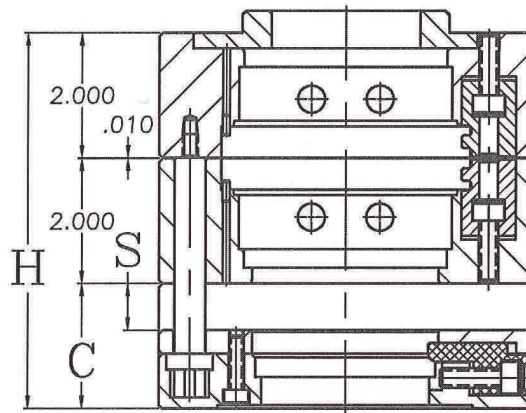
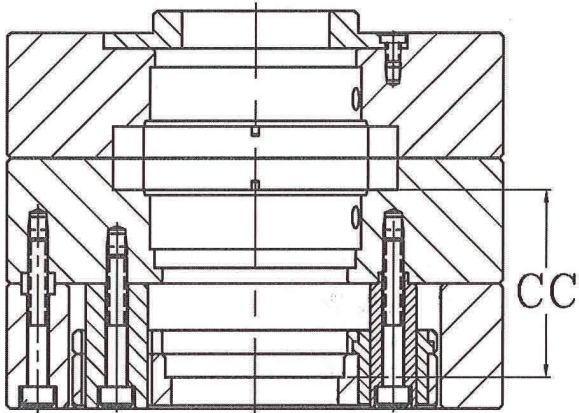
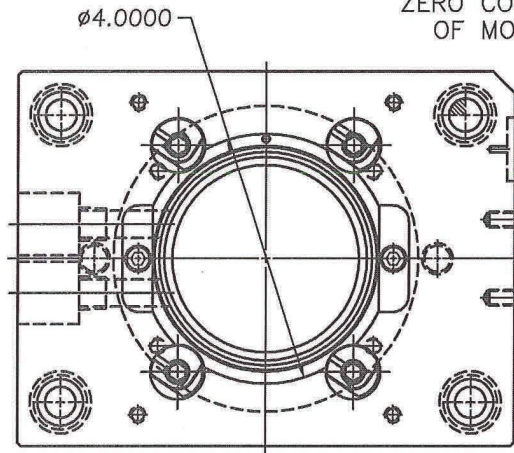
RMC-6010

FOAM LINED

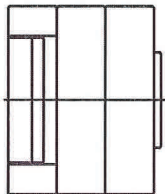
ZERO CORNER
OF MOLD



ZERO CORNER
OF MOLD



MICRO SERIES MASTER FRAME

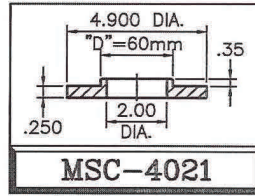
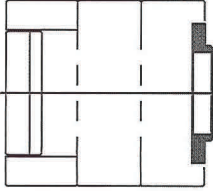


STYLE #	C	CC	H	S
MSF-0412	2.000	3.0000	6.010	.750

4" BOY Micro Frame Components

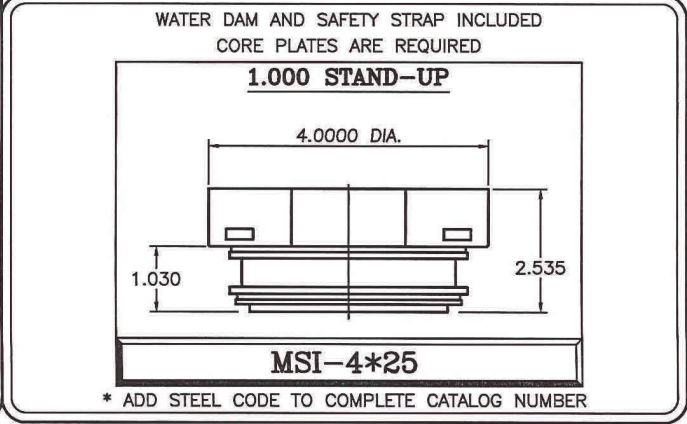
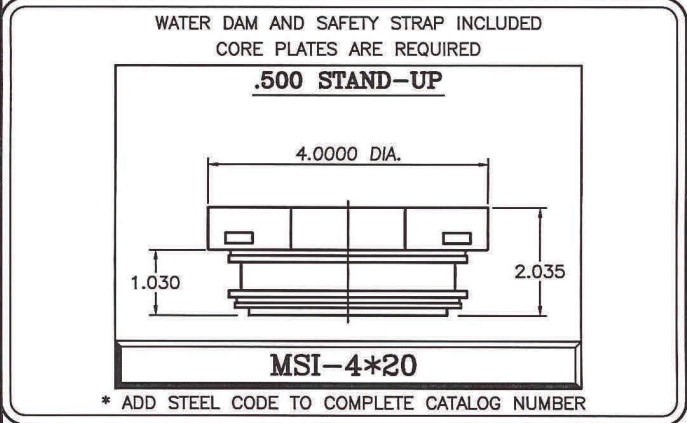
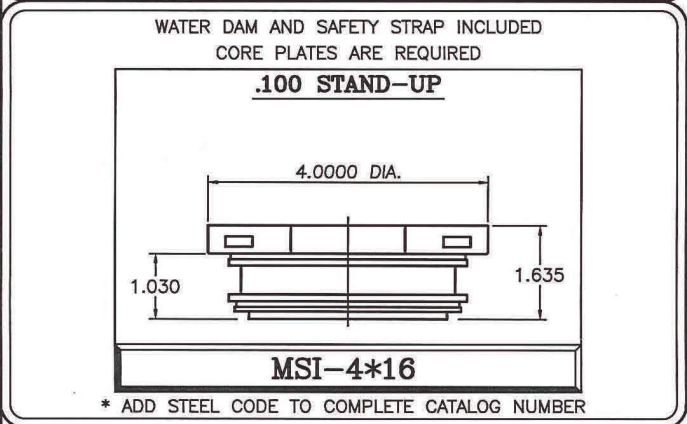
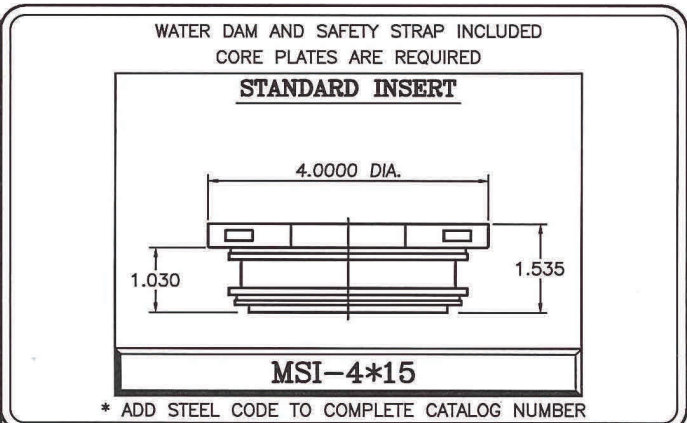
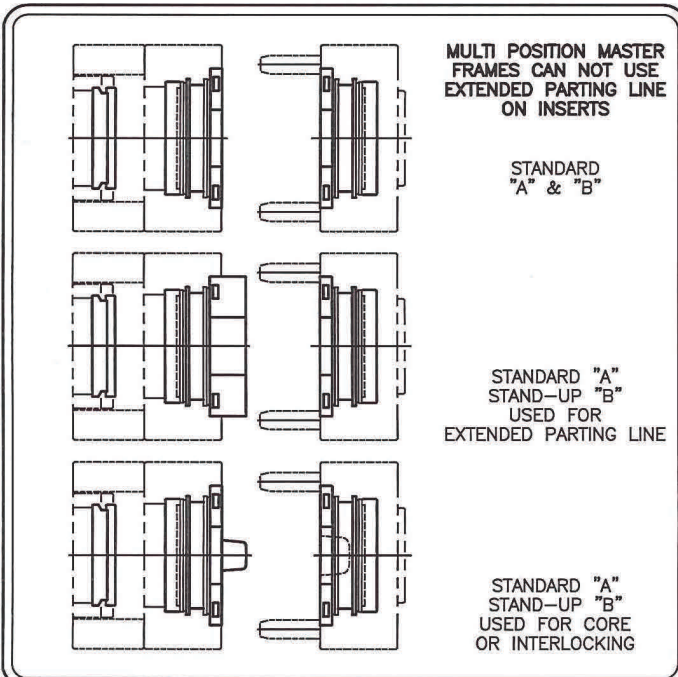
ROUND MATE®

LOCATING RING



MSC-4021

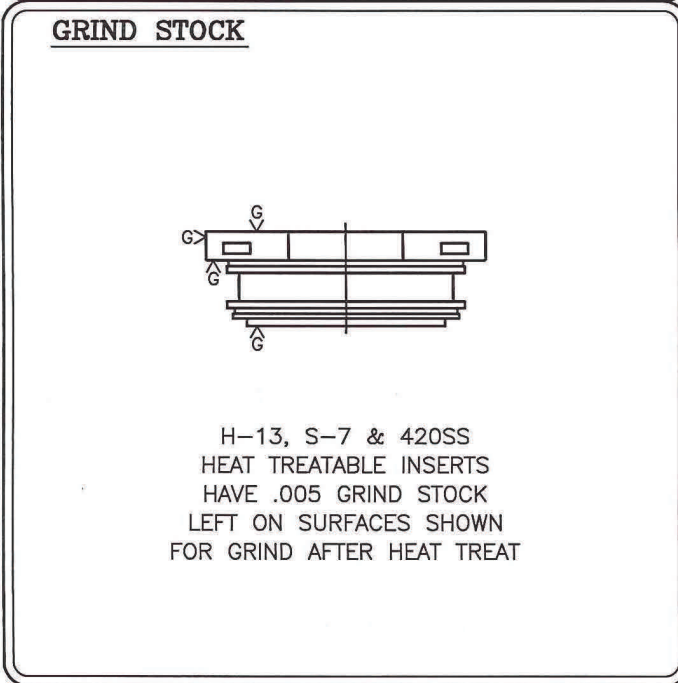
MOUNTING SCREWS INCLUDED
MAT'L 4140



AVAILABLE STEEL

* CODE	STEEL
3	P-20 PRE-HARD 32/34 Rc
4	S-7 ANNEALED
5	H-13 ANNEALED
6	420SS ANNEALED
8	420SS PRE-HARD 32/35 Rc

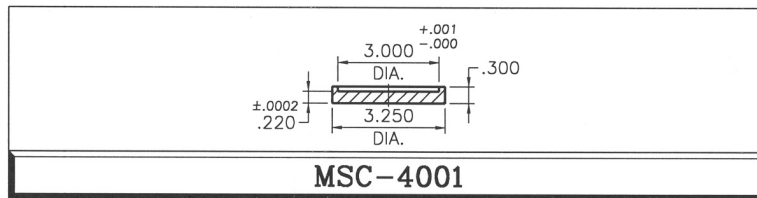
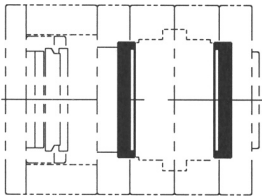
* USE CODE NUMBER ABOVE TO COMPLETE CATALOG NUMBER FOR INSERTS.



4" Micro Laminated Insert Components

ROUND MATE®

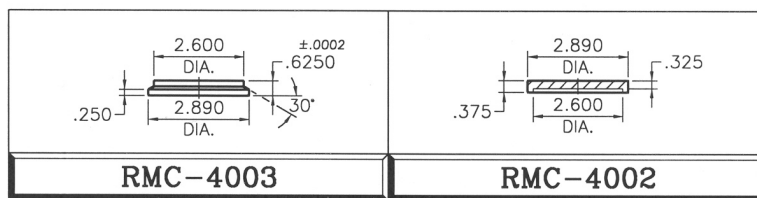
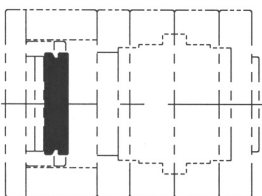
CORE RETAINER PLATE



NOTE: MUST ALWAYS BE USED WITH INSERT.

MAT'L 4140

EJECTOR PLATE ASSEMBLY

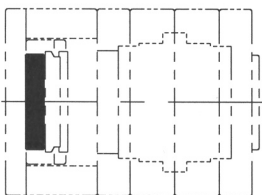


EJECTOR PLATE

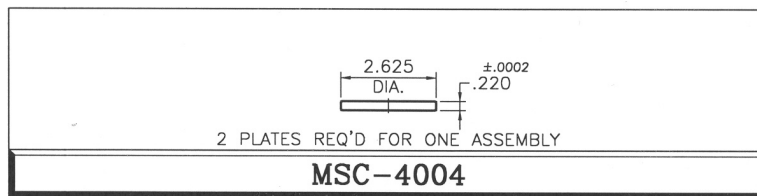
EJECTOR RETAINER PLATE

MAT'L 4140

SLEEVE EJECTION CORE RETAINER PLATES

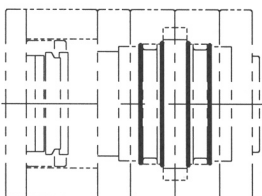






OPTIONAL

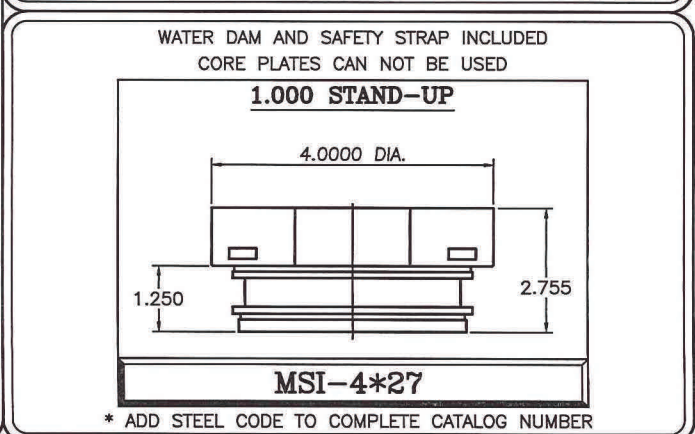
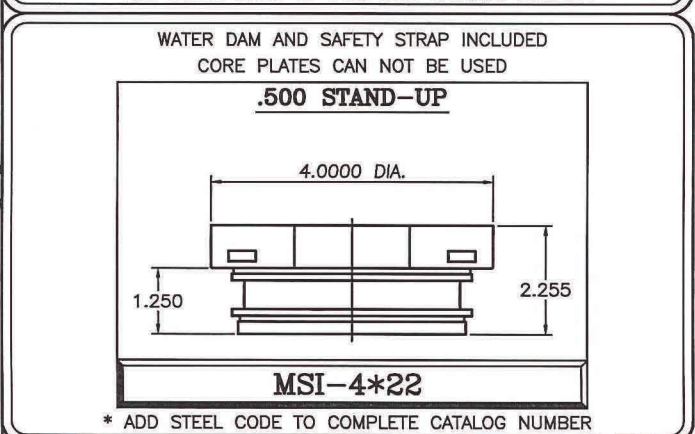
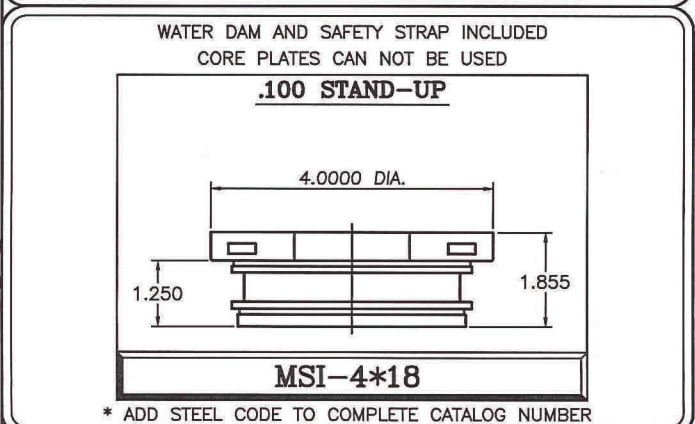
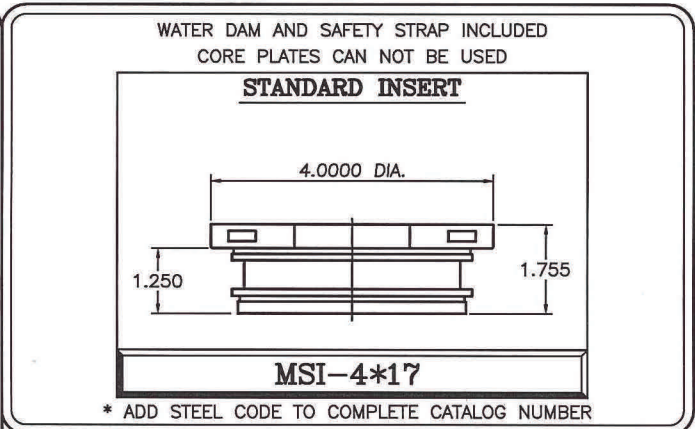
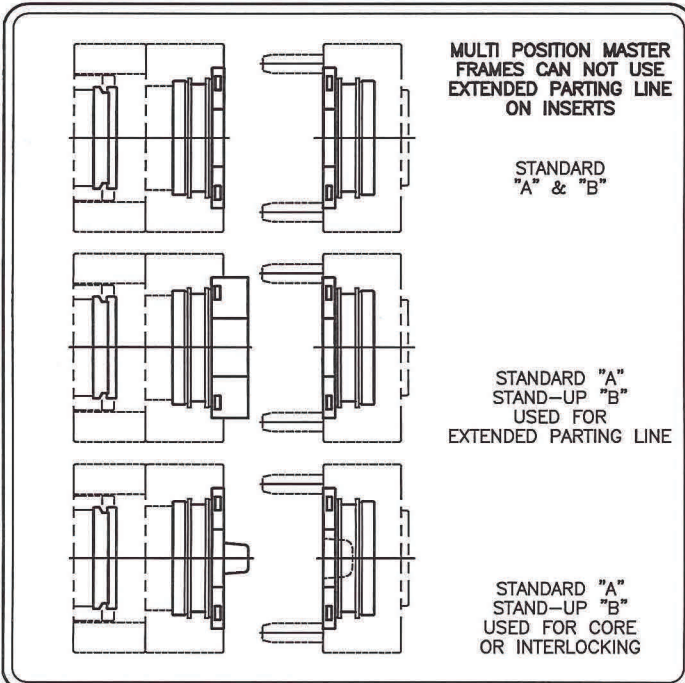


MAT'L 4140

O-RINGS



<p>O-RING SET FOR 4" INSERT</p>  <p>BUNA-N</p> <p>RMC-4015</p> <p>2 SETS ARE INCLUDED WITH INSERT SET</p>	<p>SET INCLUDES 2 O-RINGS FOR ONE INSERT</p>	<p>O-RING SET FOR 4" INSERT</p>  <p>VITON - HI TEMP</p> <p>RMC-4017</p> <p>ARE AVAILABLE UPON REQUEST</p>	<p>SET INCLUDES 2 O-RINGS FOR ONE INSERT</p>
<p>O-RING SET FOR 4" INSERT</p>  <p>BUNA-N</p> <p>RMC-4016</p> <p>ARE AVAILABLE UPON REQUEST</p>	<p>PACKAGE OF 10 O-RING SETS</p>	<p>O-RING SET FOR 4" INSERT</p>  <p>VITON - HI TEMP</p> <p>RMC-4018</p> <p>ARE AVAILABLE UPON REQUEST</p>	<p>PACKAGE OF 4 O-RING SETS</p>

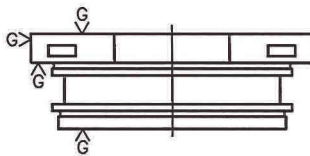


AVAILABLE STEEL

* CODE	STEEL
3	P-20 PRE-HARD 32/34 Rc
4	S-7 ANNEALED
5	H-13 ANNEALED
6	420SS ANNEALED
8	420SS PRE-HARD 32/35 Rc

* USE CODE NUMBER ABOVE TO COMPLETE CATALOG NUMBER FOR INSERTS.

GRIND STOCK

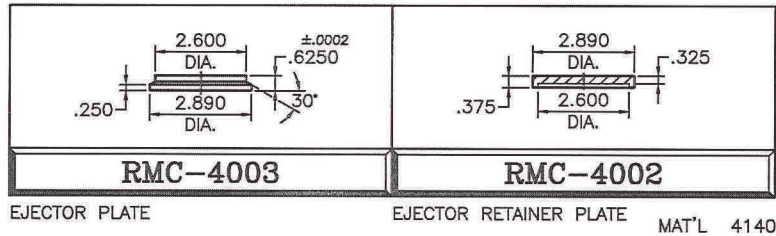
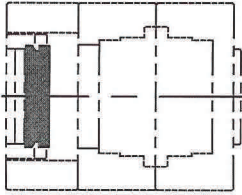


H-13, S-7 & 420SS HEAT TREATABLE INSERTS HAVE .005 GRIND STOCK LEFT ON SURFACES SHOWN FOR GRIND AFTER HEAT TREAT

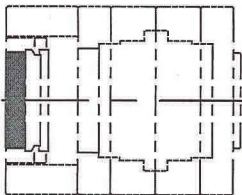
4" Micro Solid Insert Components

ROUND MATE®

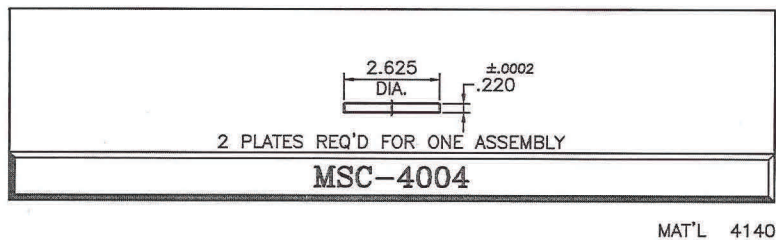
EJECTOR PLATE ASSEMBLY



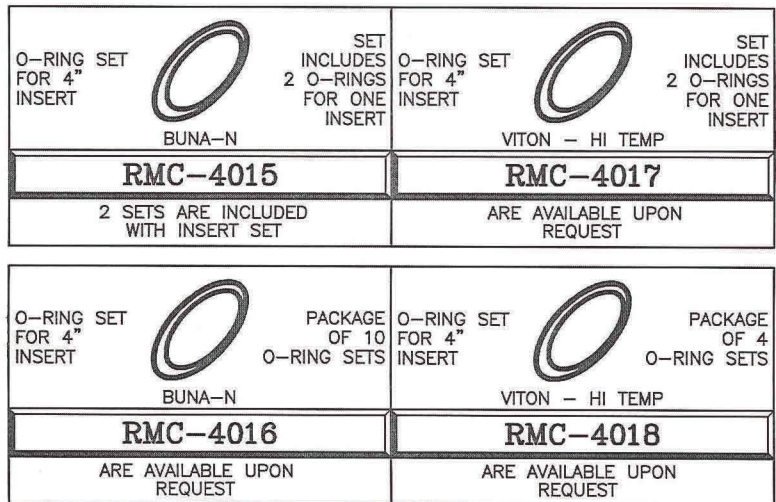
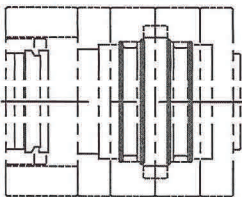
SLEEVE EJECTION CORE RETAINER PLATES



OPTIONAL

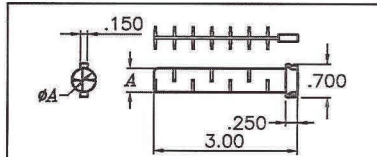
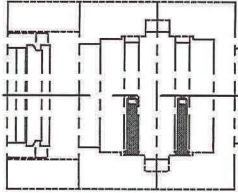


O-RINGS



WATER BAFFLE (Packs of 10)

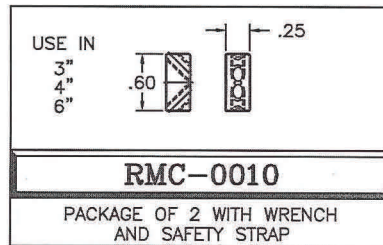
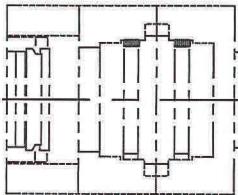
NYLON PLASTIC, NOT FOR HIGH TEMPERATURE APPLICATIONS



A DIM.	FOR USE WITH 3", 4" AND 6" ROUND MATE INSERTS
.312	RMC-0080
.500	RMC-0081

WATER DAM

1 SUPPLIED WITH EACH INSERT



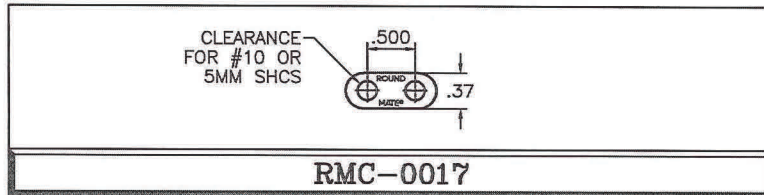
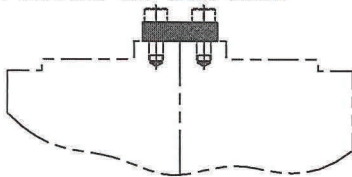
RMC-0010

PACKAGE OF 2 WITH WRENCH AND SAFETY STRAP

MAT'L 416SS

SAFETY STRAP

1 SUPPLIED WITH EACH INSERT

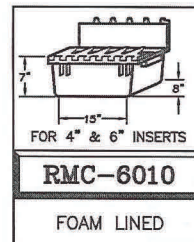
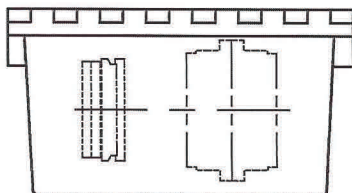


RMC-0017

PACKAGE OF 10

MAT'L NYLON

FITTED STORAGE BOX



RMC-6010

FOAM LINED