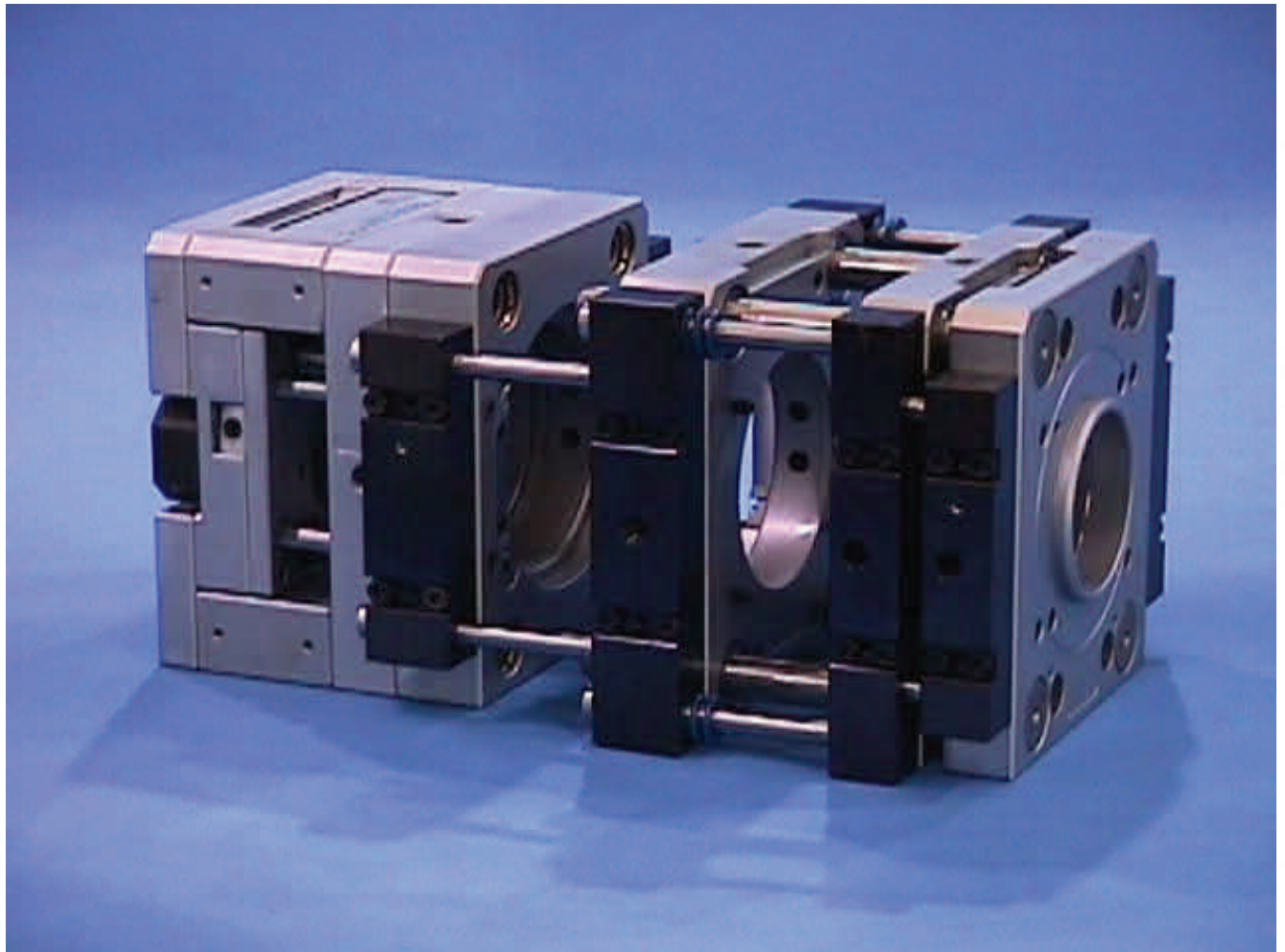
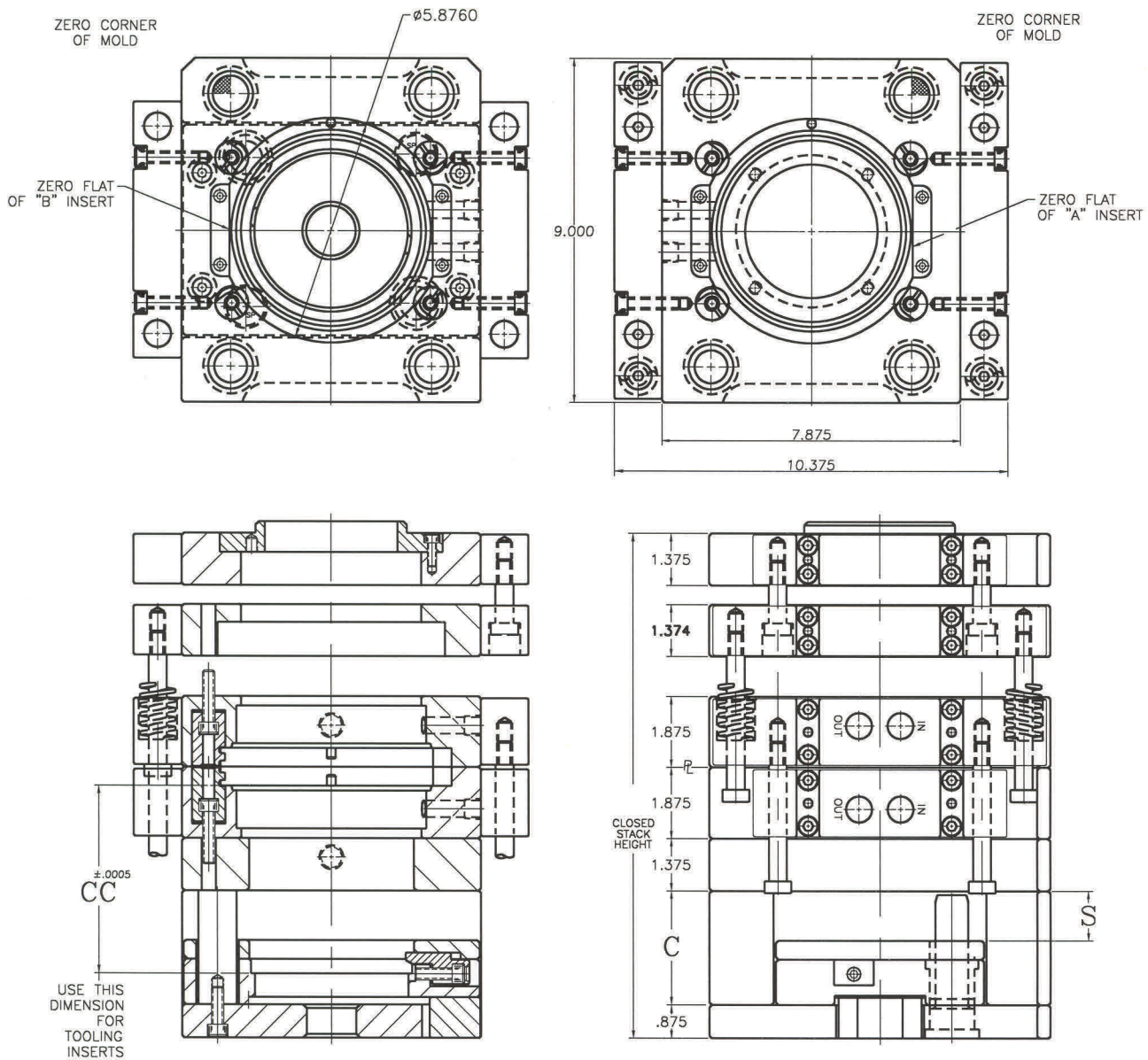


Round Mate Single Position Master Frame “Options”

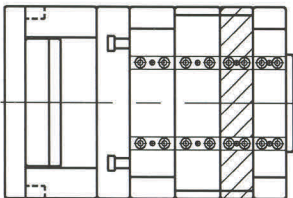


Revision: 2/2012



WHEN ORDERING A SINGLE POSITION MASTER FRAME
PLEASE SPECIFY: LOCATING RING; SPRUE BUSHING DISC

STANDARD MASTER FRAME WITH 3 PLATE WITH SPRUE GATING

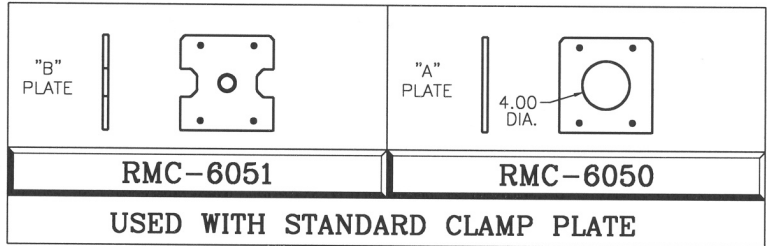
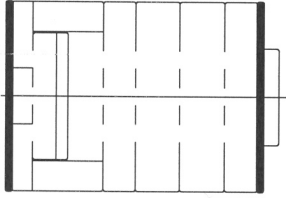


STYLE #	C	CC	H	S
RMF-4613	3	4.9375	11.750	1.312
RMF-4614	4	5.9375	12.750	2.312

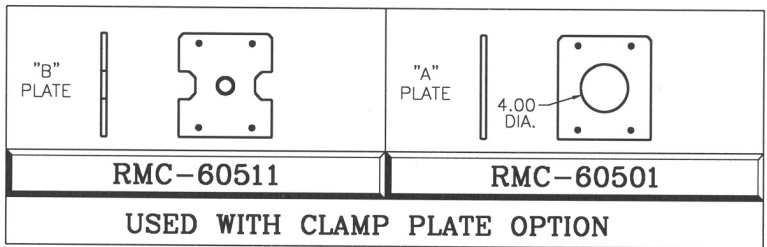
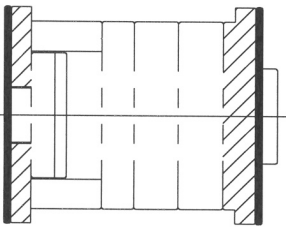
6" 3-Plate Frame Components

ROUND MATE®

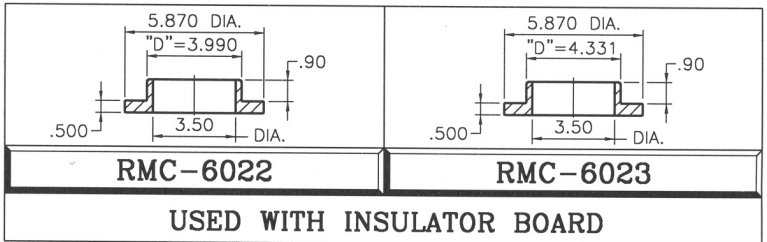
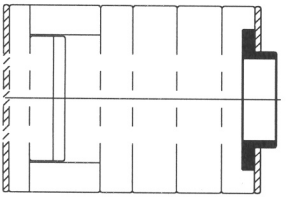
INSULATOR BOARD



OPTIONAL



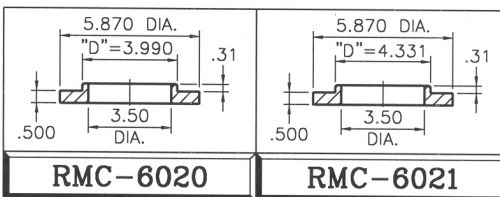
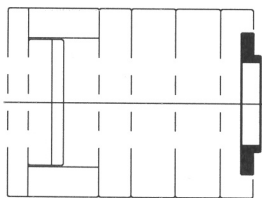
EXTENDED LOCATING RING



MOUNTING SCREWS INCLUDED

MAT'L 4140

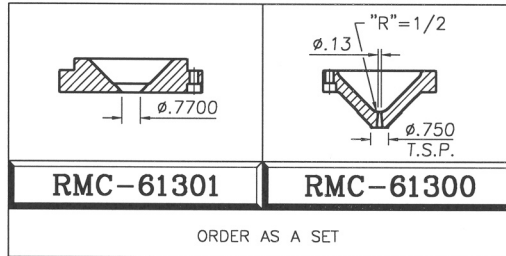
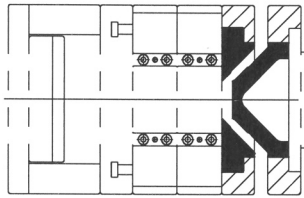
LOCATING RING



MOUNTING SCREWS INCLUDED

MAT'L 4140

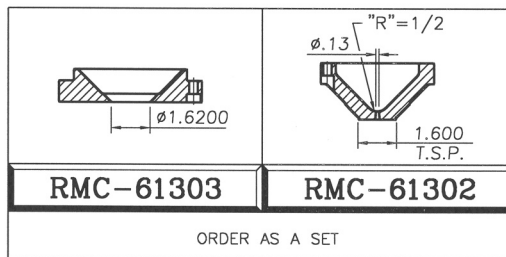
3 PLATE RUNNER STRIPPER DISC AND EXTENDED NOZZLE CONE SET



RMC-61301

RMC-61300

ORDER AS A SET

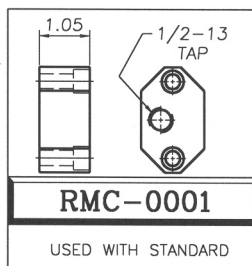
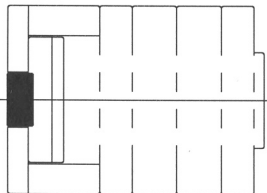


RMC-61303

RMC-61302

ORDER AS A SET

EJECTOR K.O. MOUNTING BLOCK



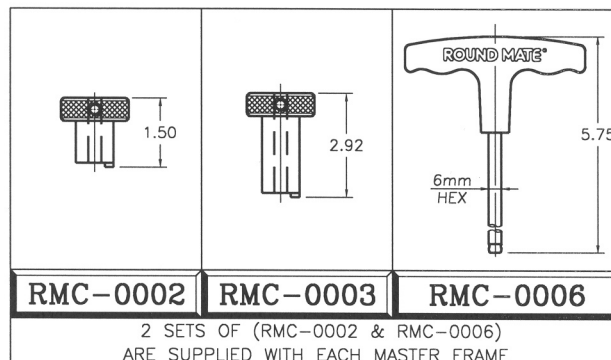
RMC-0001

USED WITH STANDARD

PACKAGE OF 2 MAT'L 4140

2 K.O. BLOCKS
INCLUDED WITH
MASTER FRAME

RETAINER/LIFTER - EJECTOR RETAINER WRENCH



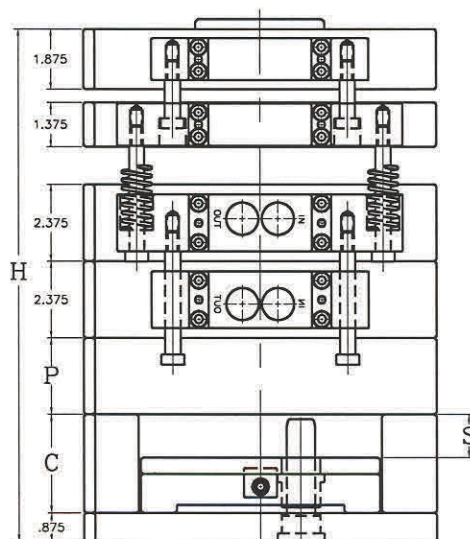
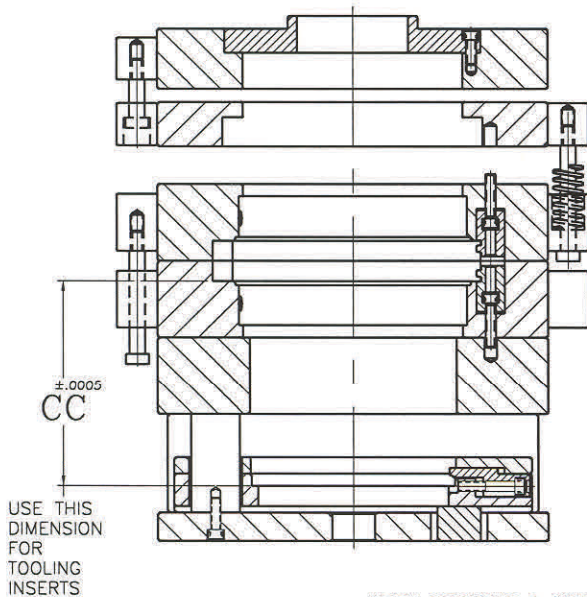
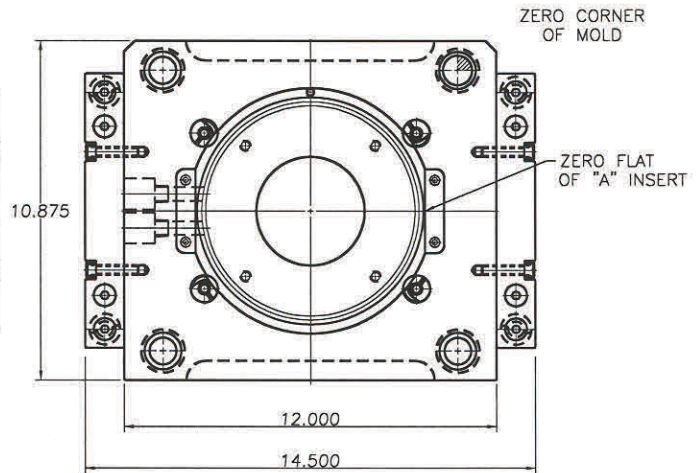
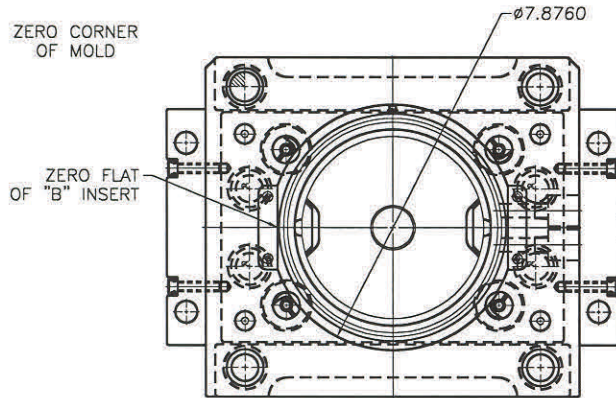
RMC-0002

RMC-0003

RMC-0006

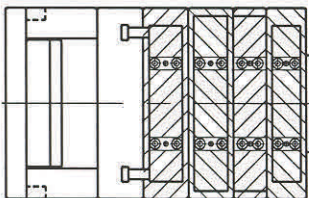
2 SETS OF (RMC-0002 & RMC-0006)
ARE SUPPLIED WITH EACH MASTER FRAME

ROUND MATE®



WHEN ORDERING A SINGLE POSITION MASTER FRAME
PLEASE SPECIFY: LOCATING RING; SPRUE BUSHING DISC

STANDARD MASTER FRAME WITH 3 PLATE WITH SPRUE GATING

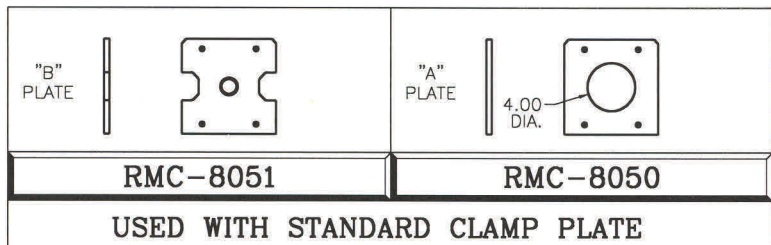
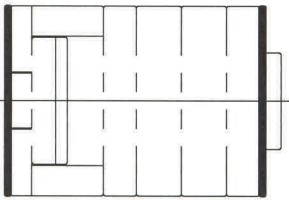


STYLE #	C	CC	H	P	S
RMF-4813	3	5.3125	13.250	1.375	1.312
RMF-4814	4	7.3125	15.250	2.375	2.312
RMF-4815	5	8.3125	16.250	2.375	3.312

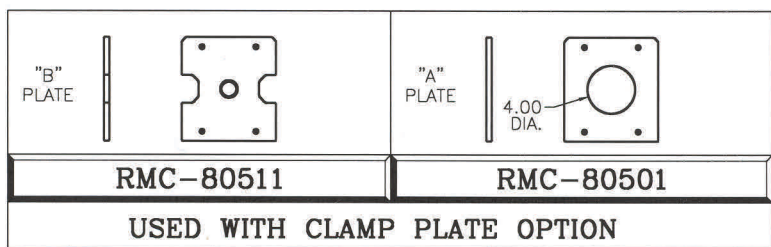
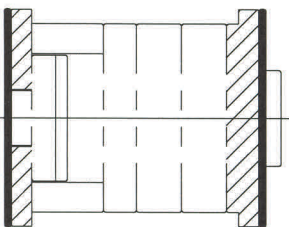
8" 3-Plate Frame Components

ROUND MATE®

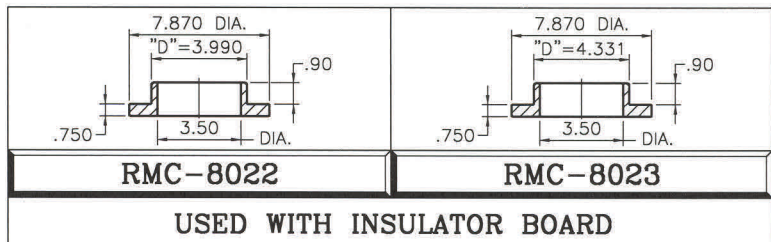
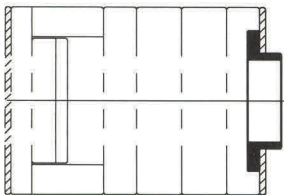
INSULATOR BOARD



OPTIONAL



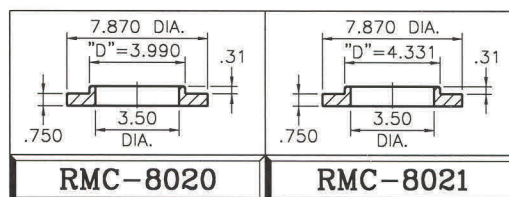
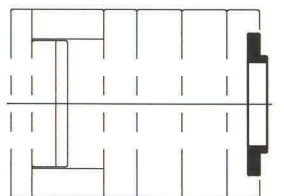
EXTENDED LOCATING RING



MOUNTING SCREWS INCLUDED

MAT'L 4140

LOCATING RING

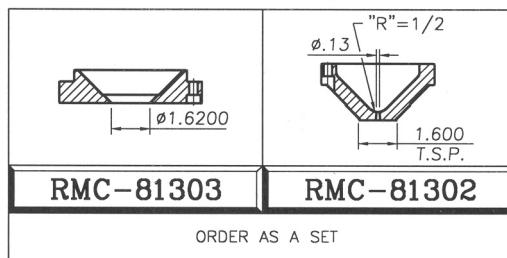
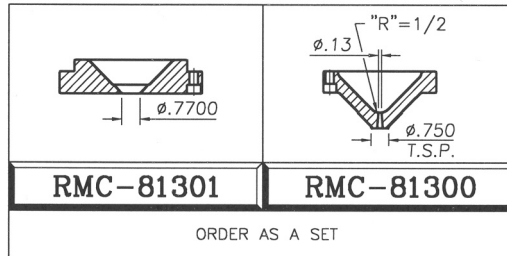
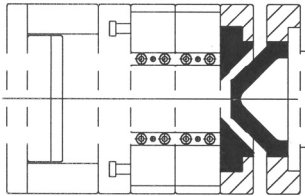


MOUNTING SCREWS INCLUDED

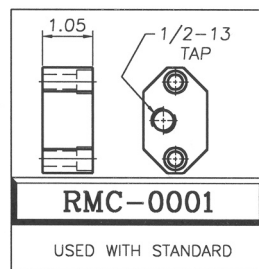
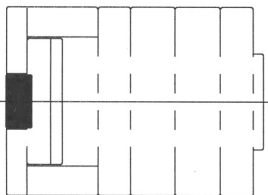
MAT'L 4140

Components continued on following catalog page

3 PLATE RUNNER STRIPPER DISC AND EXTENDED NOZZLE CONE SET



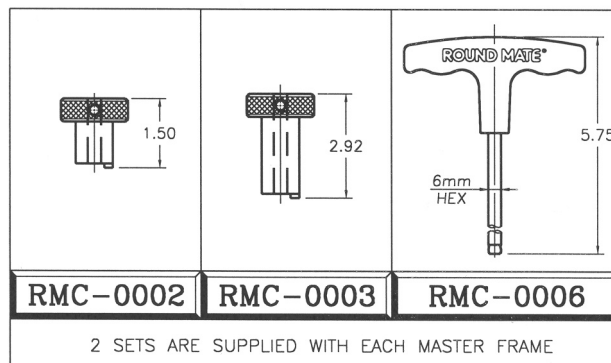
EJECTOR K.O. MOUNTING BLOCK



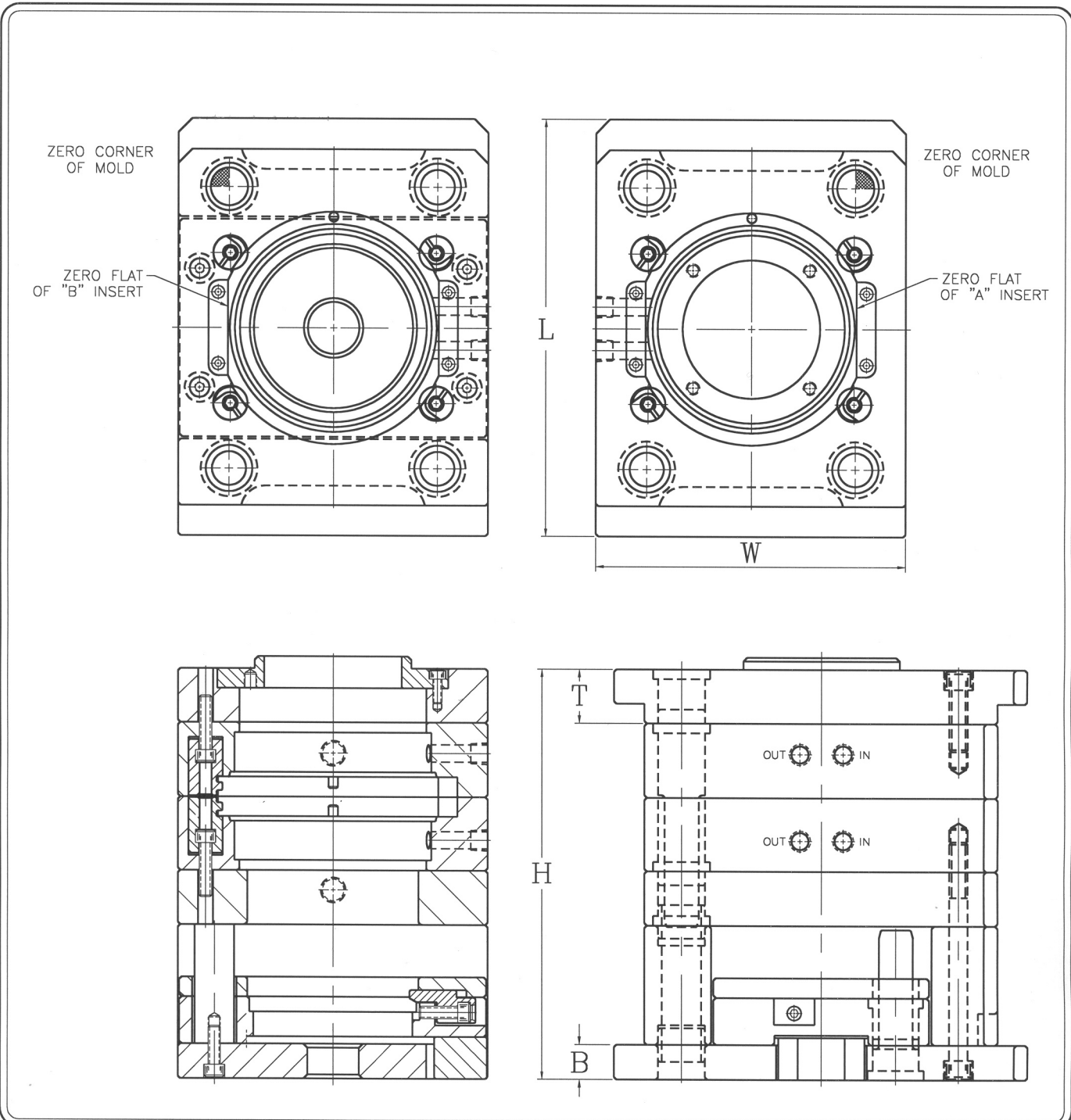
PACKAGE OF 2 MAT'L 4140

2 K.O. BLOCKS
INCLUDED WITH
MASTER FRAME

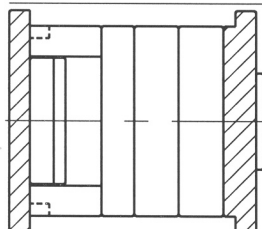
RETAINER/LIFTER - EJECTOR RETAINER WRENCH



ROUND MATE®



STANDARD MASTER FRAME WITH CLAMP PLATE OPTION

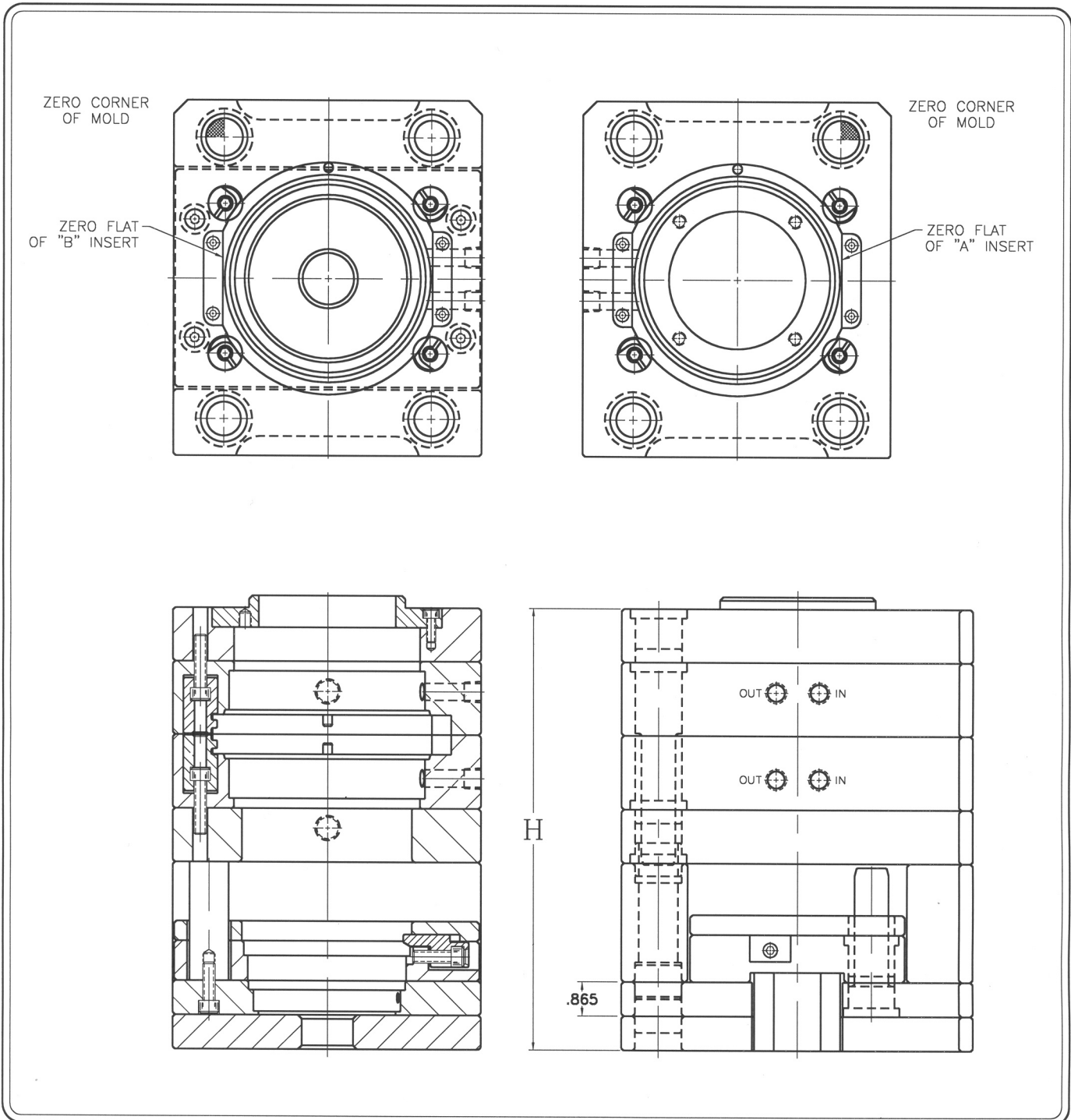


SIZE	CATALOG	B	T	W	L	H
6"	RMP-0608		1.375	7.875	11.000	NO CHANGE TO "H" (OVERALL BASE HEIGHT)
6"	RMP-0609	.875		7.875	11.000	
8"	RMP-0808		1.875	12.000	12.500	
8"	RMP-0809	.875		12.000	12.500	

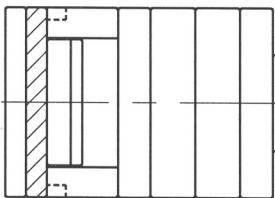
PLATES CAN BE SOLD SEPARATELY PLEASE CALL FOR DETAILS.

Water Manifold Option

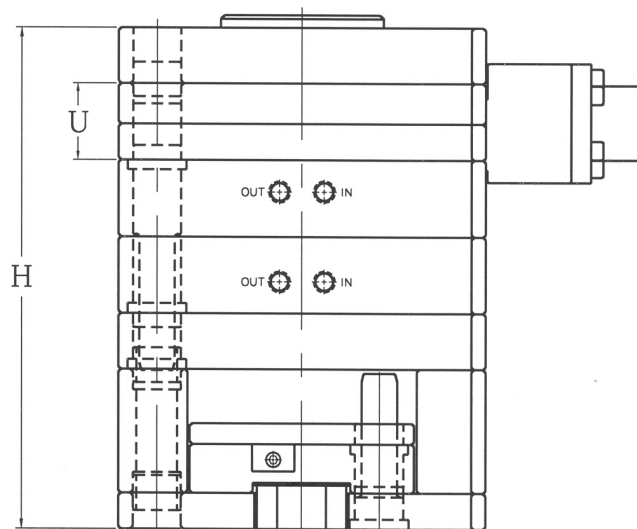
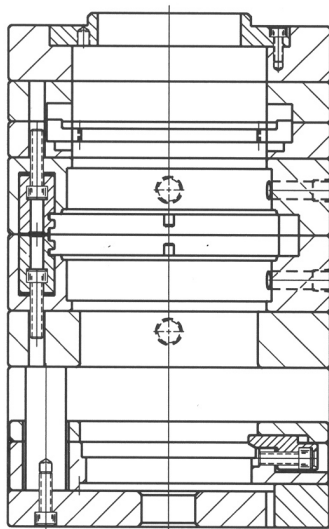
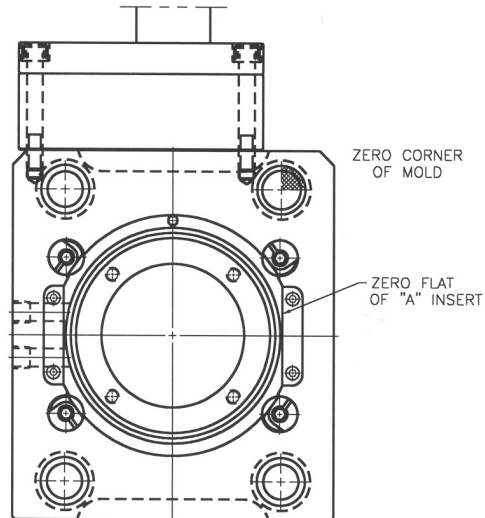
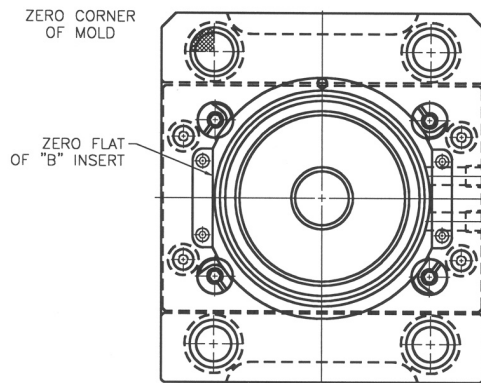
ROUND MATE®



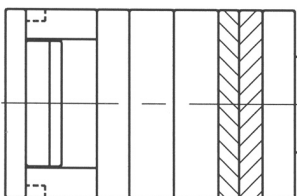
STANDARD MASTER FRAME WITH WATER MANIFOLD OPTION



SIZE	CATALOG	THIS OPTION ADDS
6"	RMP-0617	.865 TO "H"
8"	RMP-0817	(OVERALL BASE HEIGHT)



STANDARD MASTER FRAME WITH COVER UNSCREWING OPTION



SIZE	CATALOG	U	TYPE	H
6"	RMC-6180	1.875	HYDRAULIC	ADD "U" VALUE TO "H" (OVERALL BASE HEIGHT)
6"	RMC-6190	1.875	ELECTRIC	
8"	RMC-8180	3.375	HYDRAULIC	
8"	RMC-8190	3.375	ELECTRIC	