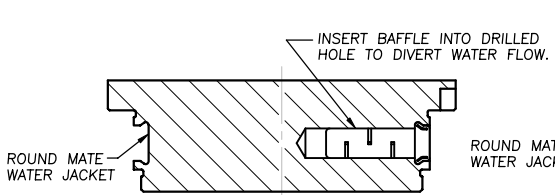
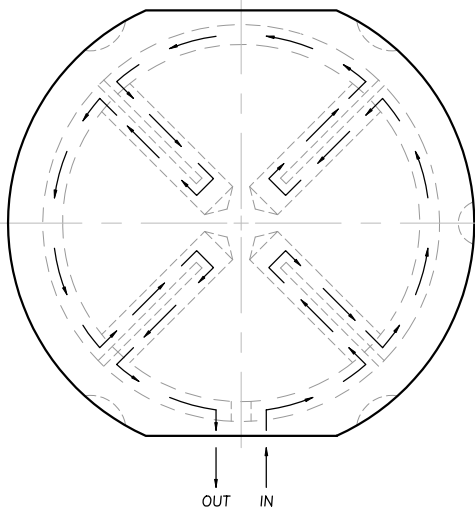
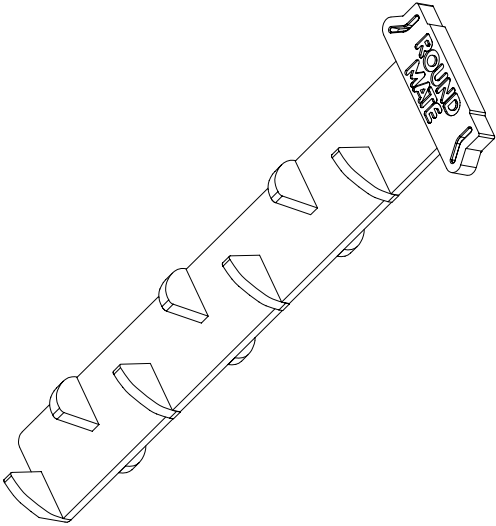
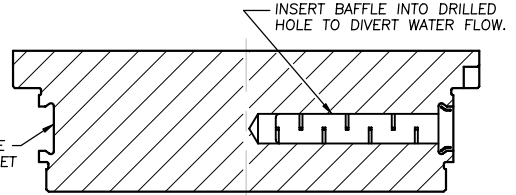


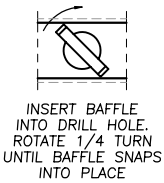
WATER BAFFLE



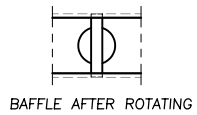
4" & 6" ROUND MATE



8" ROUND MATE



INSERT BAFFLE INTO DRILL HOLE. ROTATE 1/4 TURN UNTIL BAFFLE SNAPS INTO PLACE

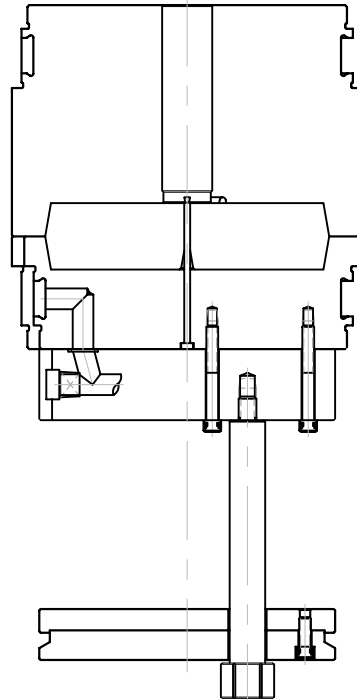
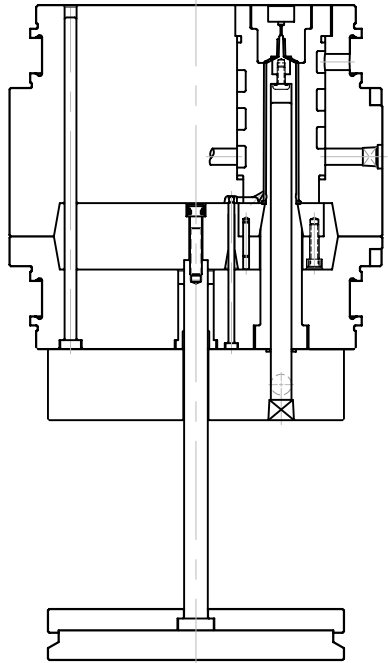
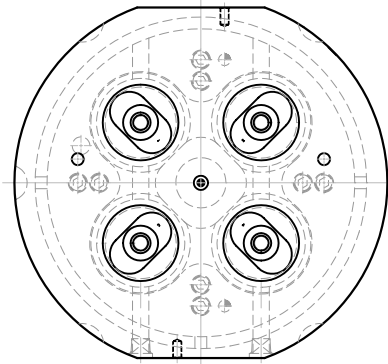
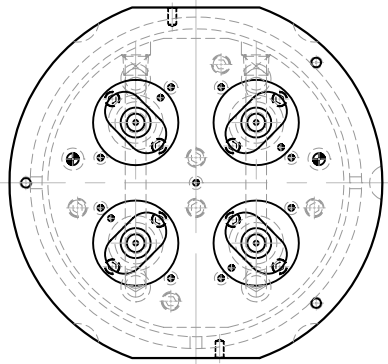


BAFFLE AFTER ROTATING

COPYRIGHT © PLEASANT PRECISION, INC.®
1991, 1993, 1997, 1998, 1999, 2000. ALL RIGHTS RESERVED

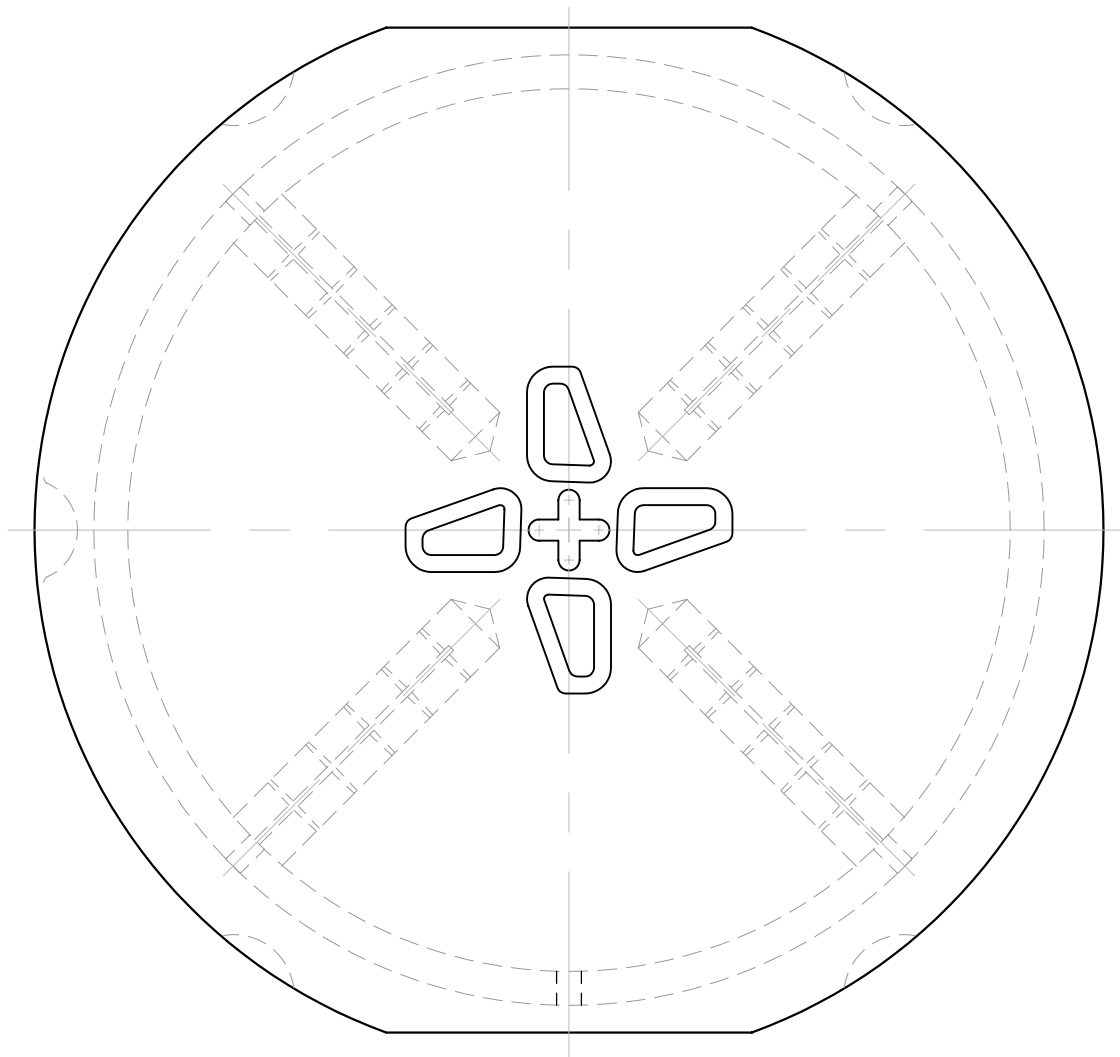
ROUND MATE
WATER BAFFLE

ADDITIONAL COOLING LINES
CAN BE LOCATED TO
CIRCULATE WATER TOWARD
THE CENTER OF THE
ROUND MATE® INSERT, OR
USED TO FEED OTHER
ROUND INSERTS.



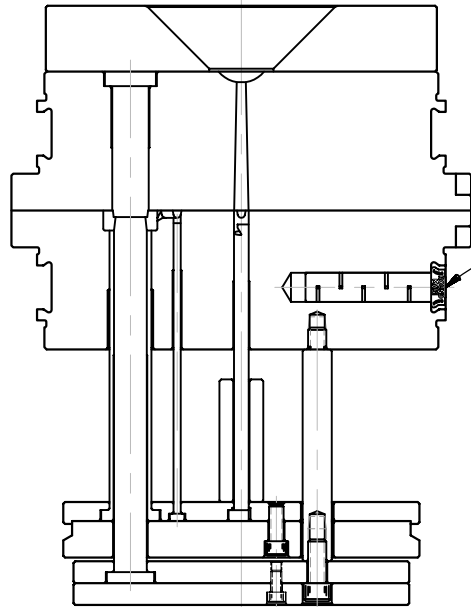
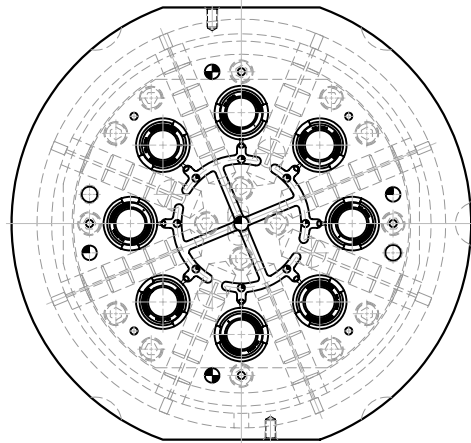
COPYRIGHT © PLEASANT PRECISION, INC.®
1991, 1993, 1997, 1998, 1999, 2000 ALL RIGHTS RESERVED

CROSS DRILLED
w/MULTIPLE DAMS



COPYRIGHT © PLEASANT PRECISION, INC.®
1991, 1993, 1997, 1998, 1999, 2000 ALL RIGHTS RESERVED

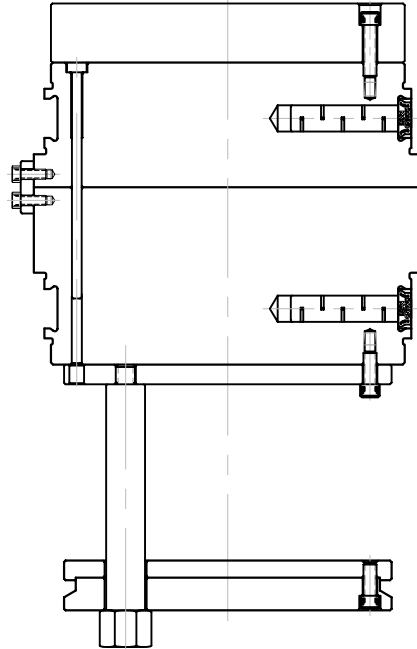
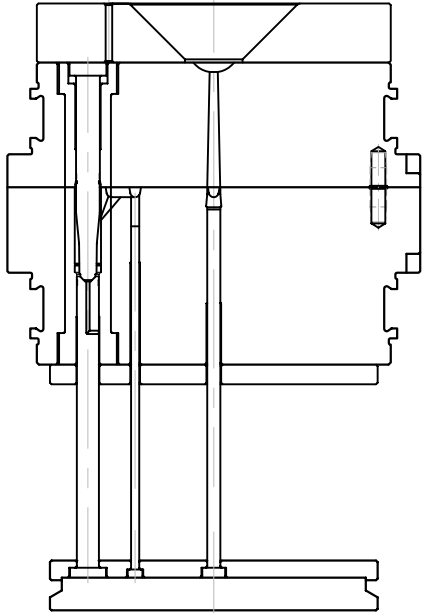
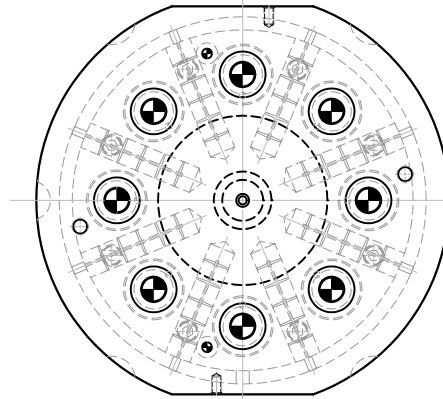
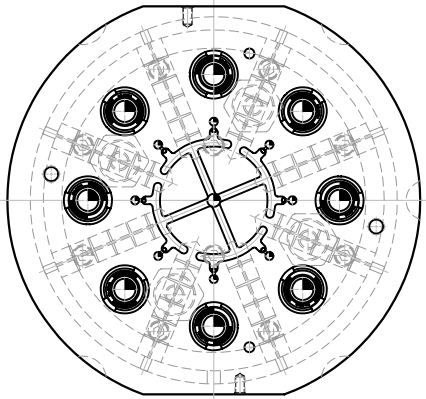
CROSS DRILLED
w/MULTIPLE DAMS



CAT# RMC-0081

COPYRIGHT © PLEASANT PRECISION, INC.®
1991, 1993, 1997, 1998, 1999, 2000. ALL RIGHTS RESERVED

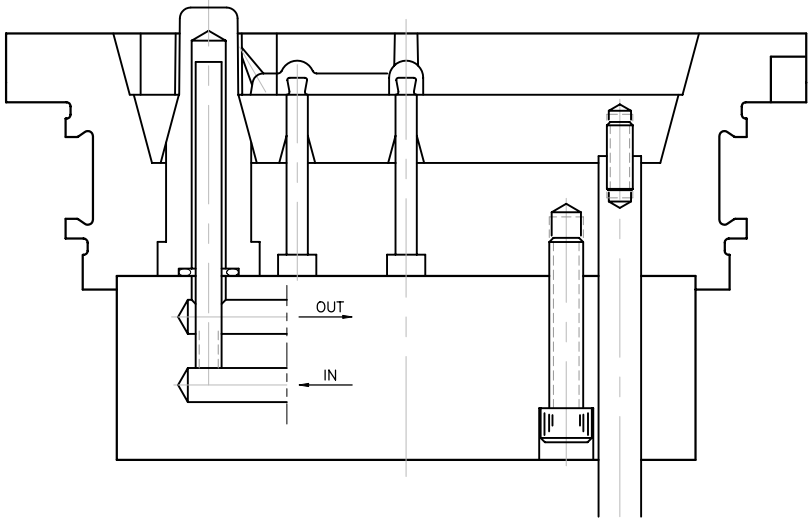
CROSS DRILLED
W/ ROUND MATE
BAFFLES



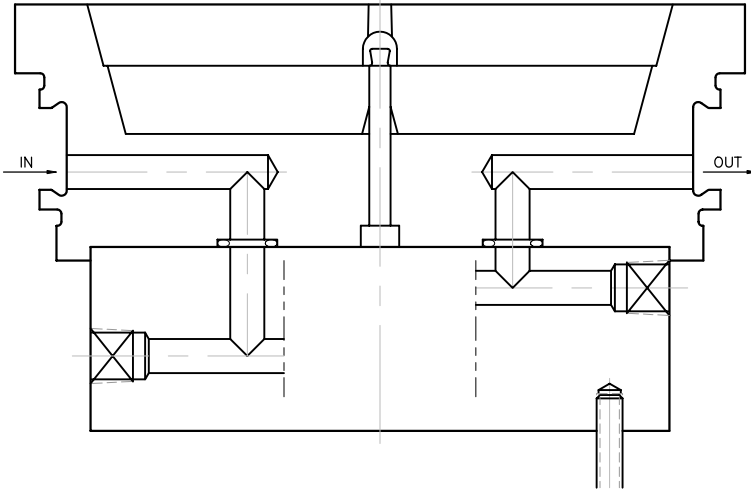
COPYRIGHT © PLEASANT PRECISION, INC.®
1991, 1993, 1997, 1998, 1999, 2000. ALL RIGHTS RESERVED

CROSS DRILLED
W/ BAFFLES

CORES THAT REQUIRE DIRECT COOLING CAN HAVE WATER ROUTED UNDERNEATH, FEEDING A BUBBLER OR BLADE BAFFLE. DRAWING SHOWS WATER CHANNLED TO A CORE RETAINER PLATE FROM THE OUTSIDE ROUND MATE® WATER GROOVE.



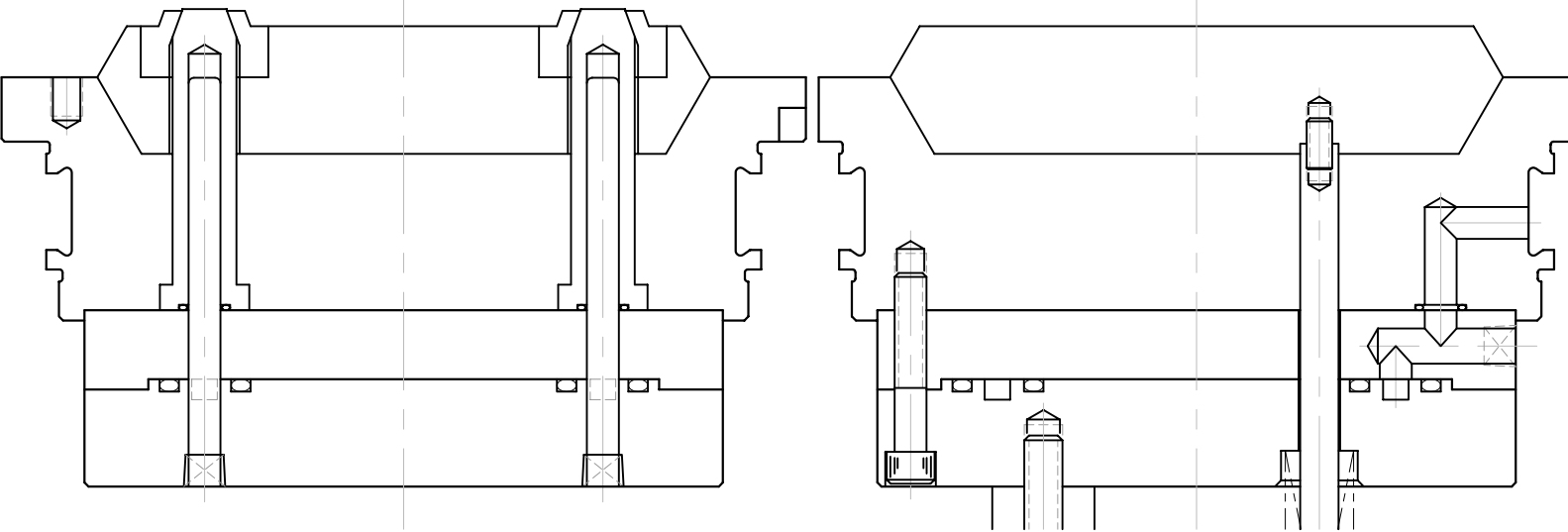
CUSTOM WATER MANIFOLD



BUBBLERS

COPYRIGHT © PLEASANT PRECISION, INC.®
1991, 1993, 1997, 1998, 1999, 2000 ALL RIGHTS RESERVED

CORES THAT REQUIRE DIRECT COOLING CAN HAVE WATER ROUTED UNDERNEATH, FEEDING A BUBBLER OR BLADE BAFFLE. DRAWING SHOWS WATER CHanneLED TO A CORE RETAINER PLATE FROM THE OUTSIDE ROUND MATE® WATER GROOVE.

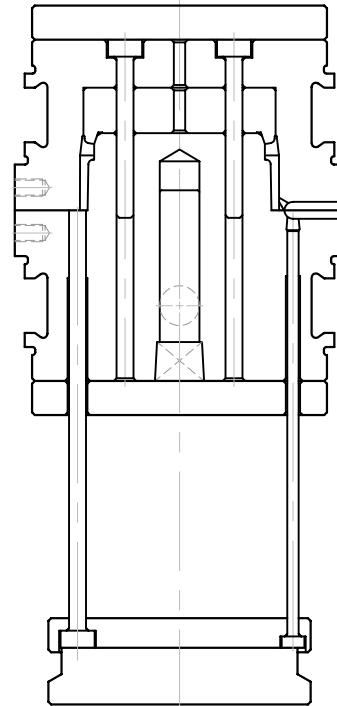
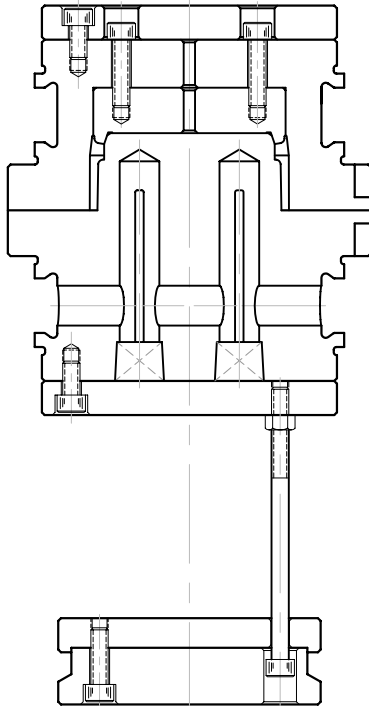
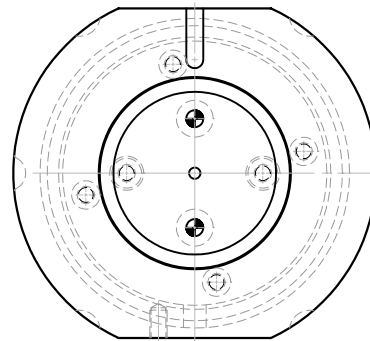
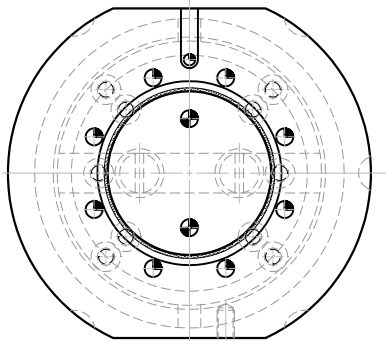


COPYRIGHT © PLEASANT PRECISION, INC.®
1991, 1993, 1997, 1998, 1999, 2000 ALL RIGHTS RESERVED

BLADE BAFFLES

5.7

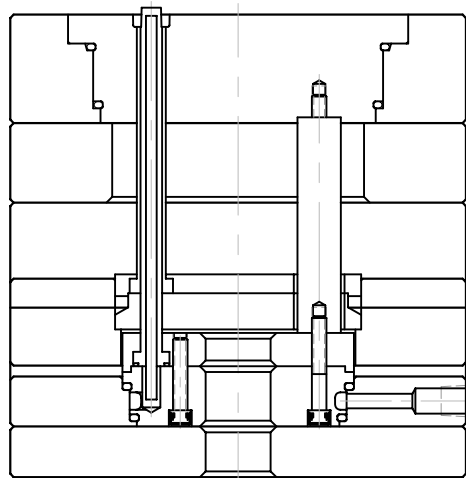
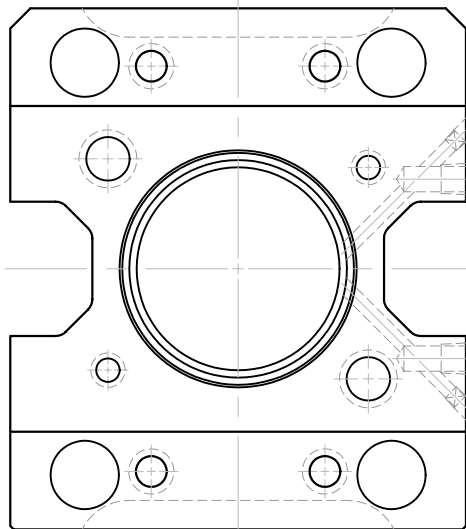
WATER CAN BE EASILY ROUTED
TO THE CENTER OF DEEP CORES
BY THE USE OF INEXPENSIVE BAFFLES.



COPYRIGHT © PLEASANT PRECISION, INC.®
1991, 1993, 1997, 1998, 1999, 2000. ALL RIGHTS RESERVED

WATER BAFFLES
IN SOLID INSERT

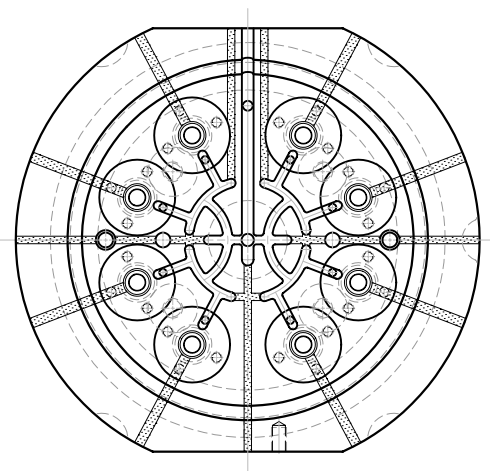
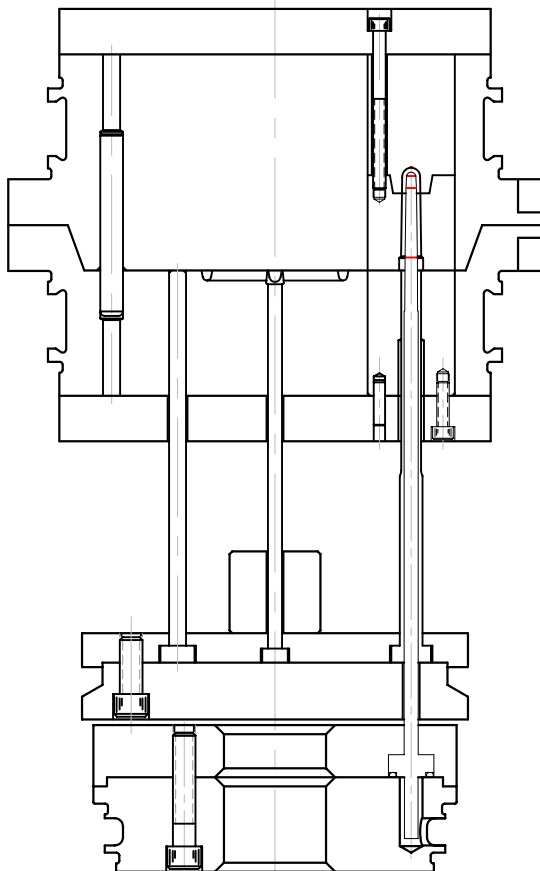
OPTIONAL WATER JACKET
CAN BE MACHINED INTO
THE MASTER FRAME.



COPYRIGHT © PLEASANT PRECISION, INC.®
1991, 1993, 1997, 1998, 1999, 2000 ALL RIGHTS RESERVED

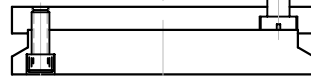
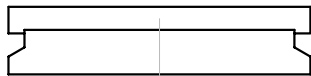
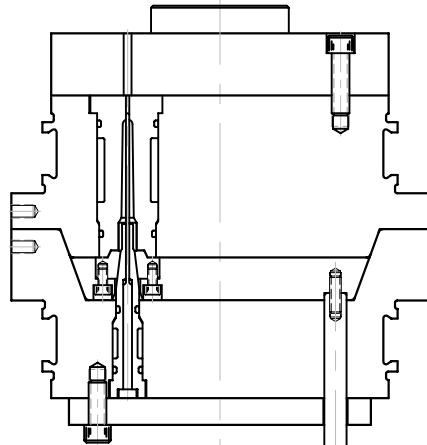
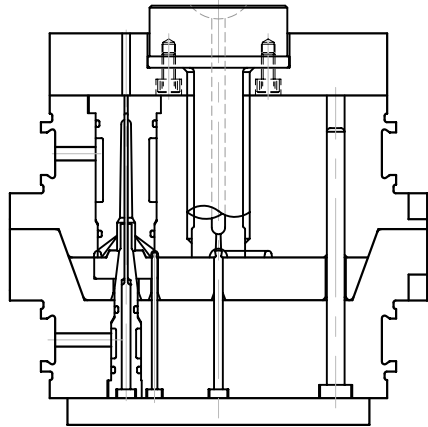
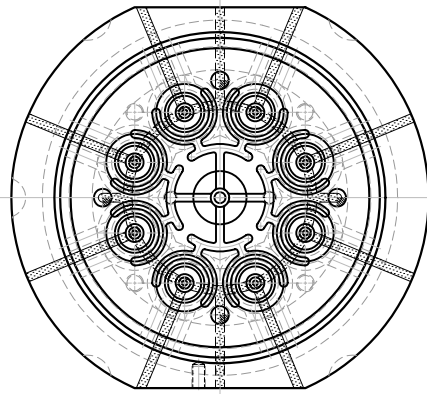
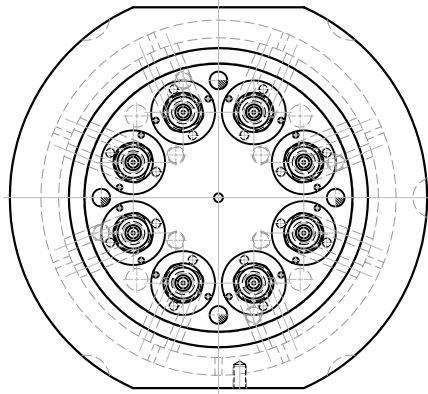
OPTIONAL MASTER
FRAME WATER FOR
CORES WITH SLEEVES

OPTIONAL WATER JACKET
CAN BE MACHINED INTO
THE MASTER FRAME.



COPYRIGHT © PLEASANT PRECISION, INC.®
1991, 1993, 1997, 1998, 1999, 2000. ALL RIGHTS RESERVED

OPTIONAL MASTER
FRAME WATER FOR
CORES WITH SLEEVES



COPYRIGHT © PLEASANT PRECISION, INC.®
1991, 1993, 1997, 1998, 1999, 2000. ALL RIGHTS RESERVED

WATER COOLED
CAVITY INSERTS.