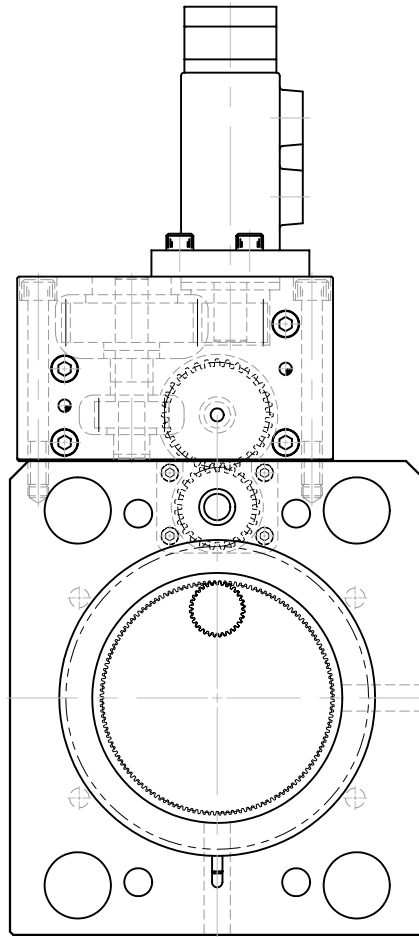
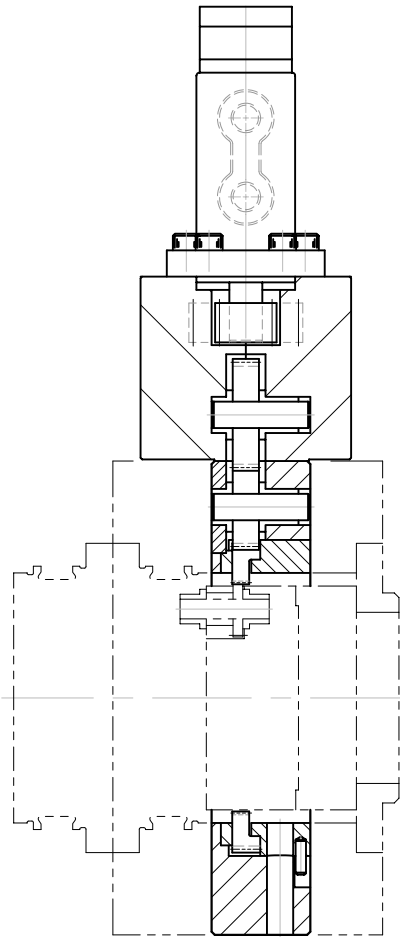


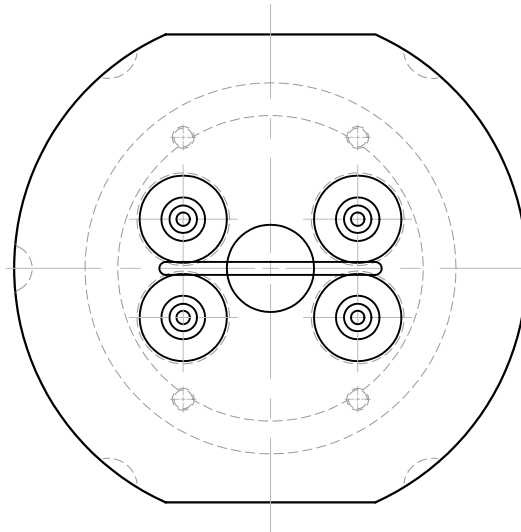
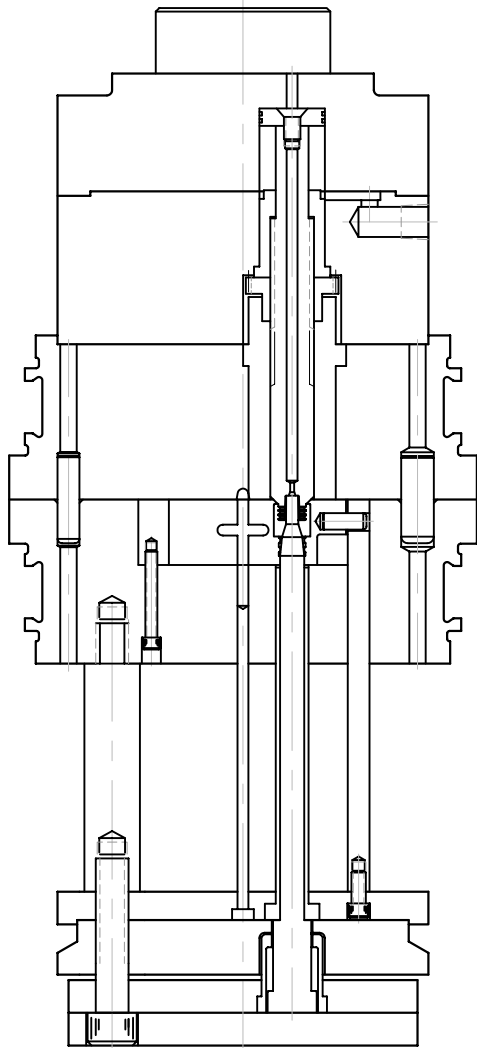
COPYRIGHT © PLEASANT PRECISION, INC.®
1991, 1993, 1997, 1998, 1999, 2000 ALL RIGHTS RESERVED

EJECTION
HYDRAULIC ACTIVATED



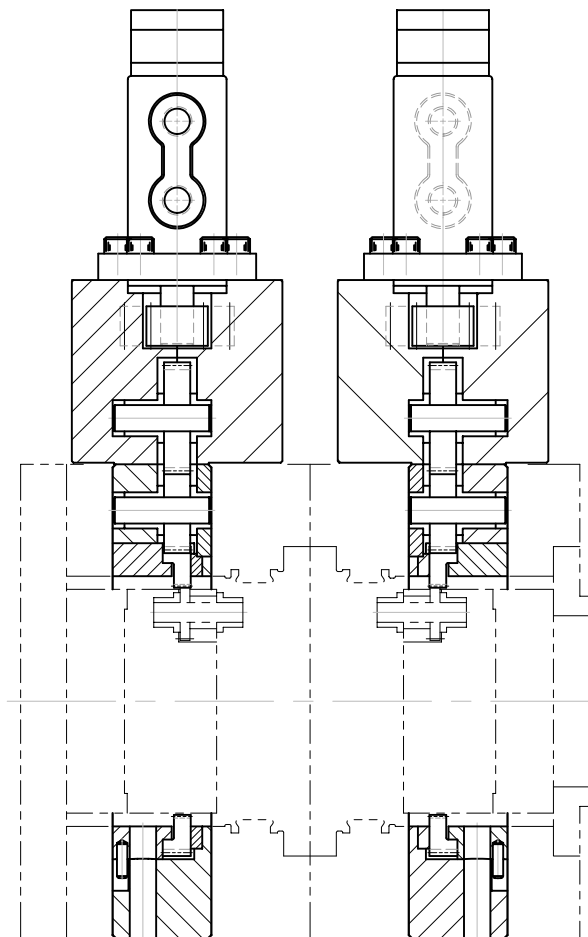
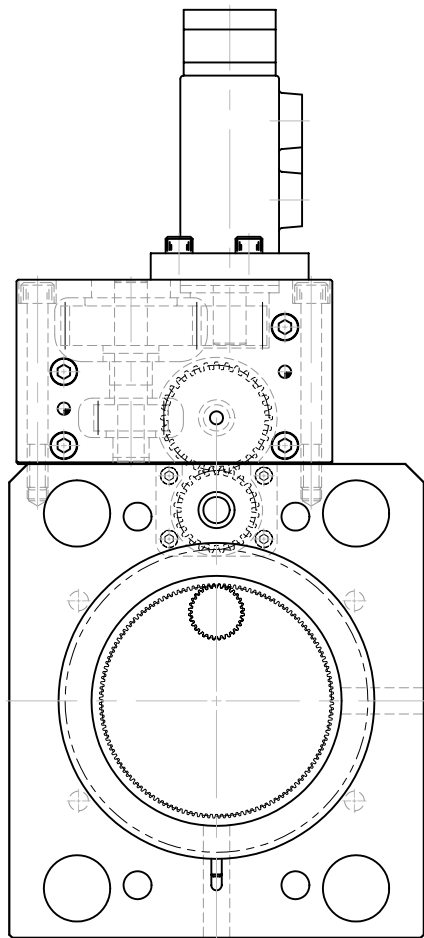
COPYRIGHT © PLEASANT PRECISION, INC.®
1991, 1993, 1997, 1998, 1999, 2000. ALL RIGHTS RESERVED

UNSCREWING
MASTER FRAME
ADAPTER



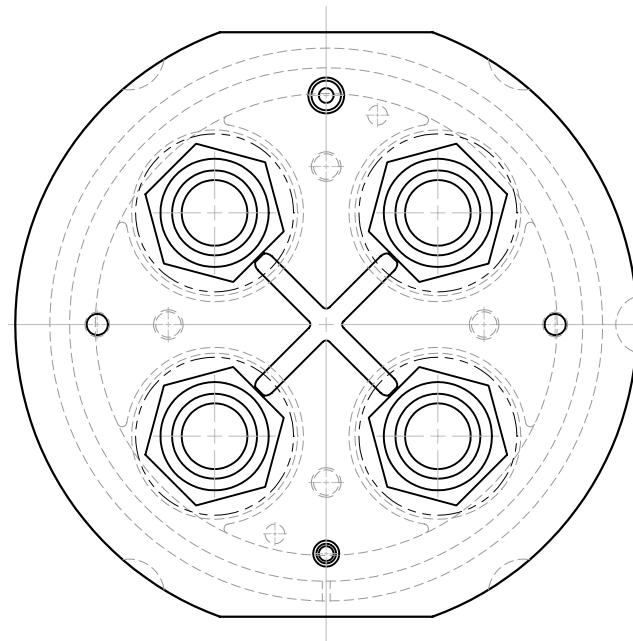
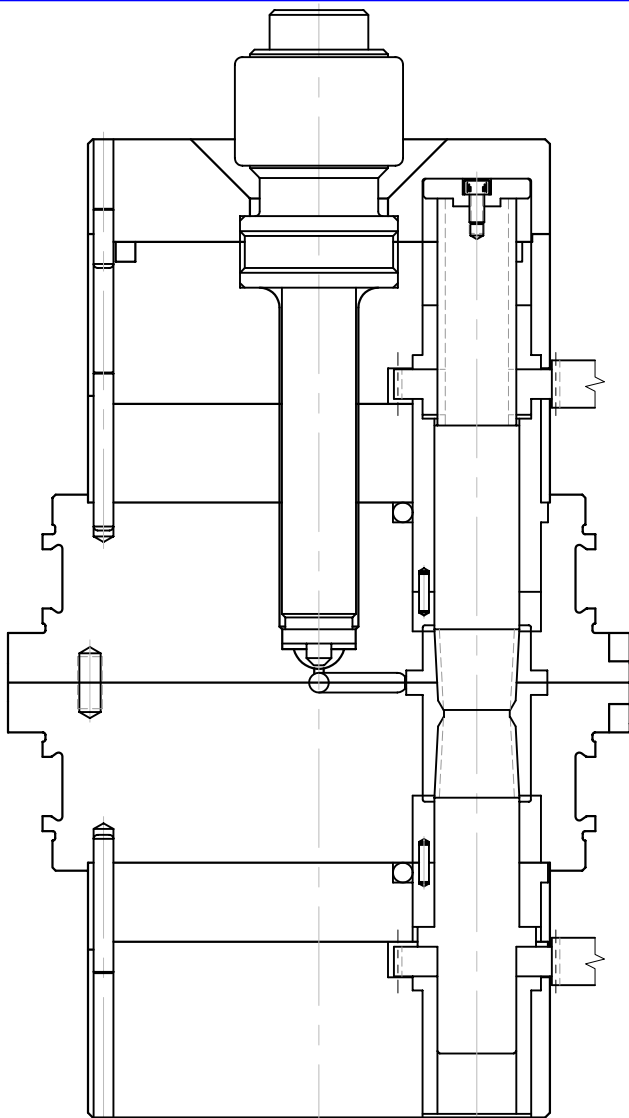
COPYRIGHT © PLEASANT PRECISION, INC.®
1991, 1993, 1997, 1998, 1999, 2000. ALL RIGHTS RESERVED

UNSCREWING INSERT



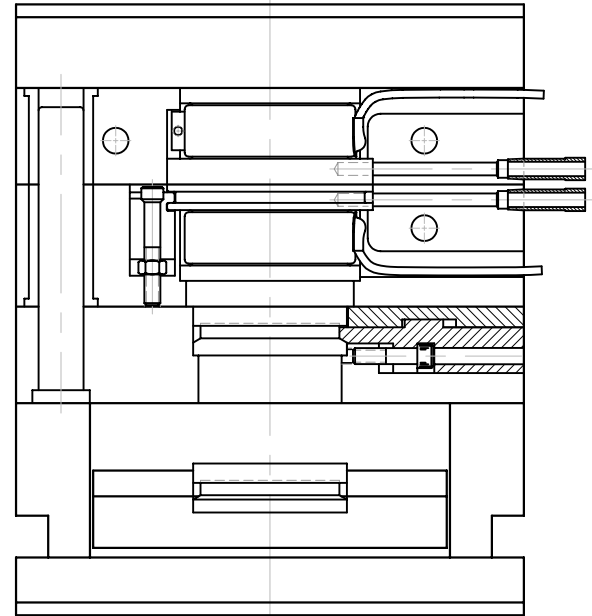
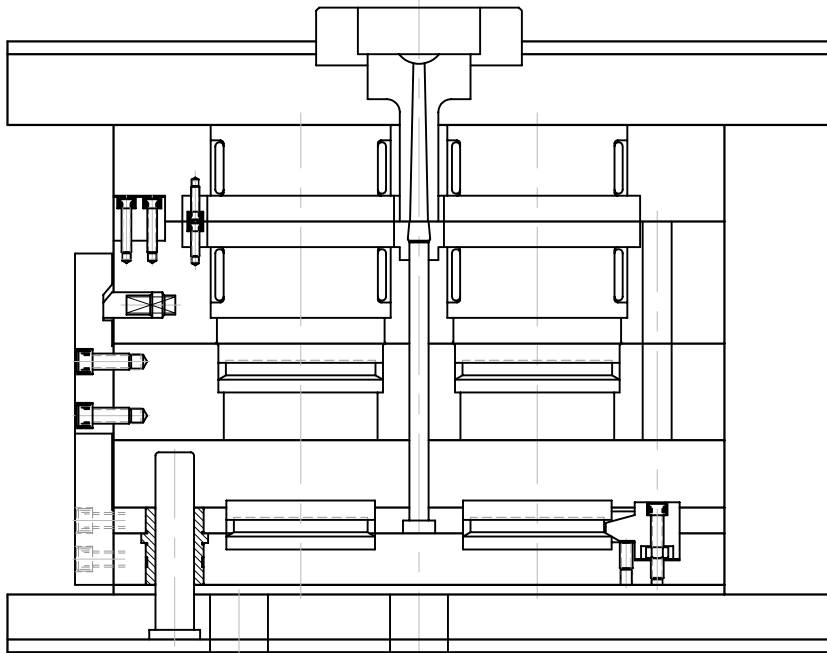
COPYRIGHT © PLEASANT PRECISION, INC.®
1991, 1993, 1997, 1998, 1999, 2000. ALL RIGHTS RESERVED

DOUBLE
UNSCREWING
MASTER FRAME



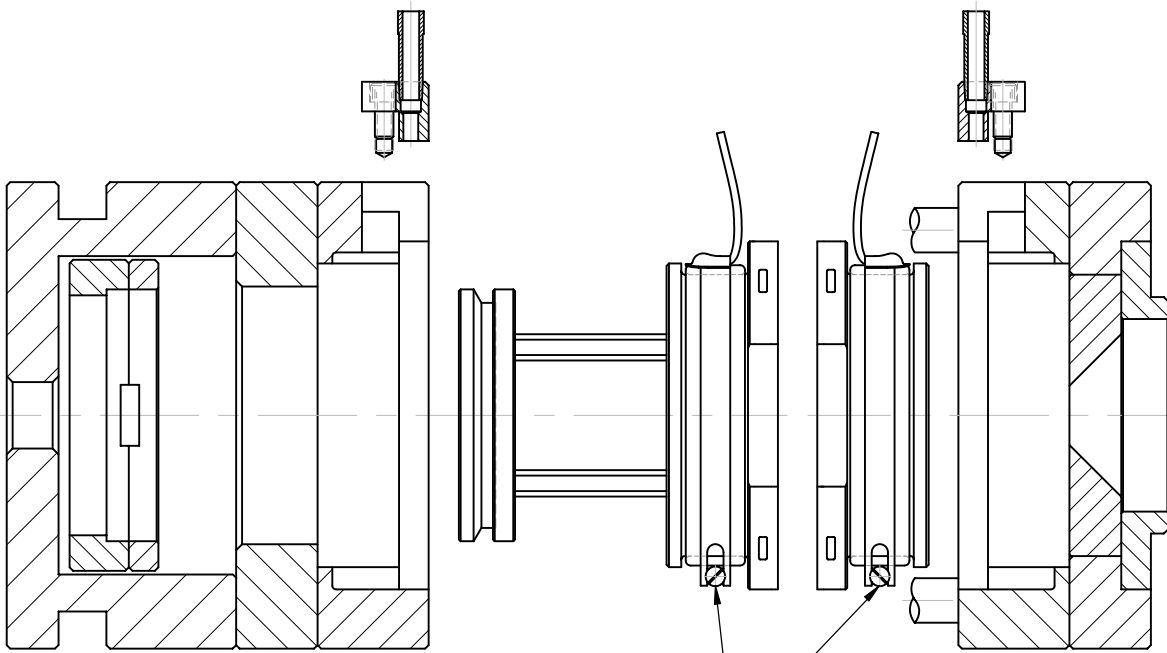
COPYRIGHT © PLEASANT PRECISION, INC.®
1991, 1993, 1997, 1998, 1999, 2000 ALL RIGHTS RESERVED

DOUBLE
UNSCREWING INSERT



COPYRIGHT © PLEASANT PRECISION, INC.®
1991, 1993, 1997, 1998, 1999, 2000 ALL RIGHTS RESERVED

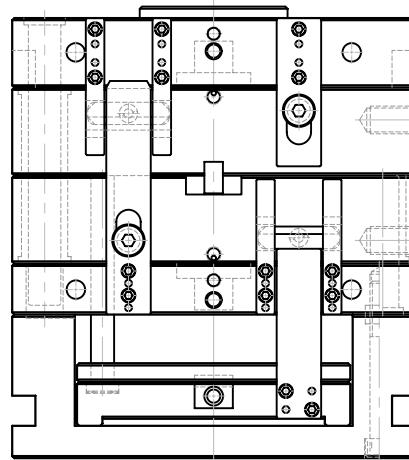
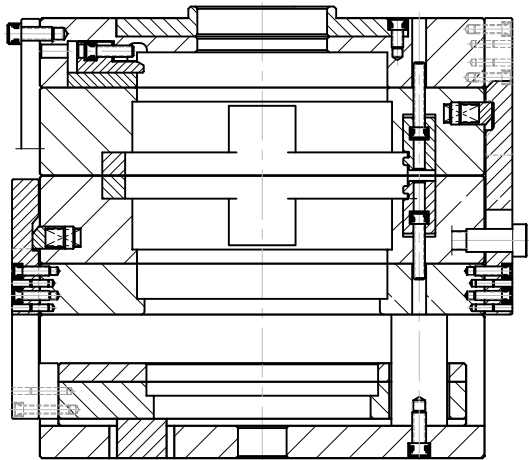
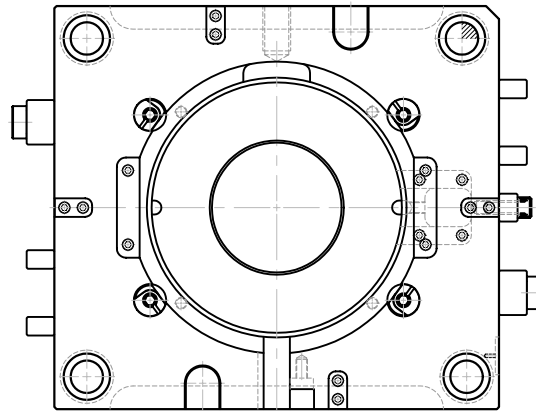
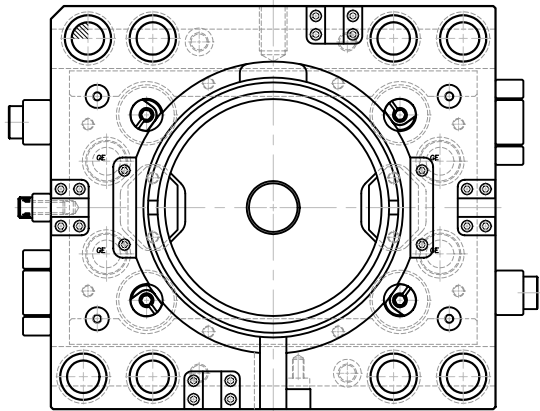
HEATED STRIPPER PLATE
w/ CORE RETAINER



HEATER BANDS ONLY.
NO LIQUID COOLING.

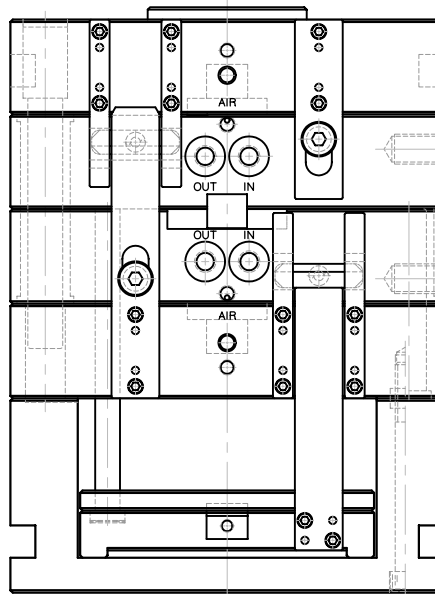
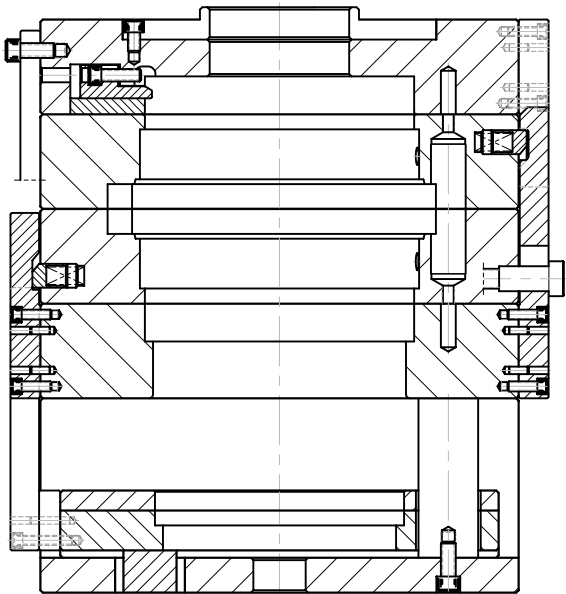
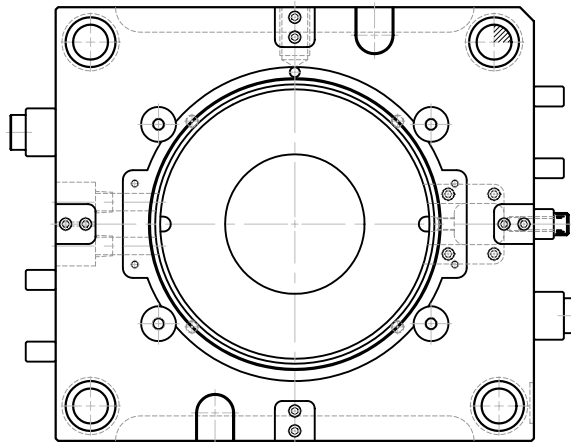
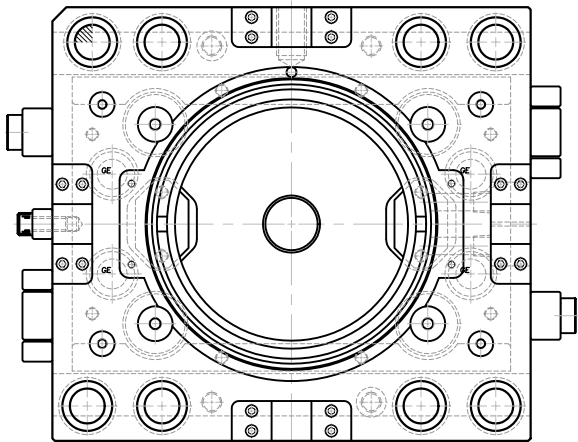
COPYRIGHT © PLEASANT PRECISION, INC.®
1991, 1993, 1997, 1998, 1999, 2000 ALL RIGHTS RESERVED

ROUND MATE®
HOT INSERT



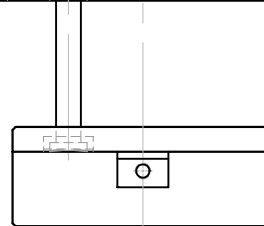
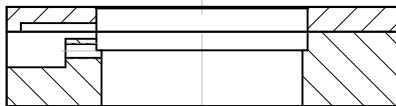
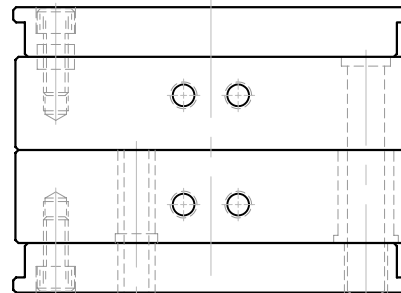
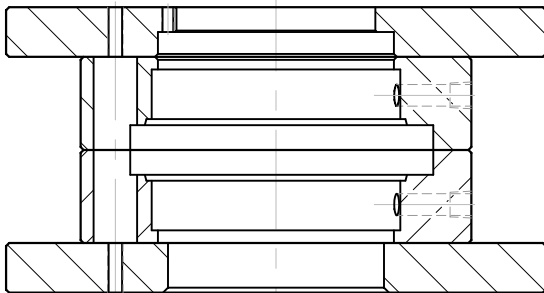
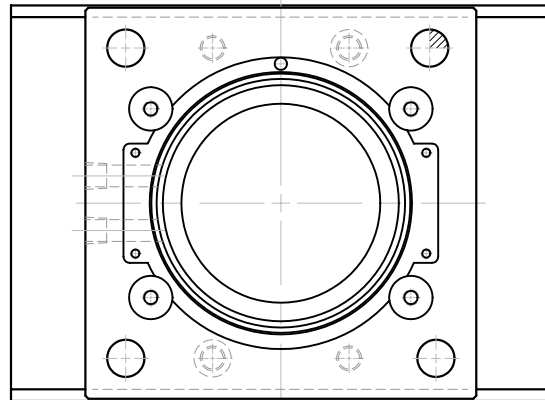
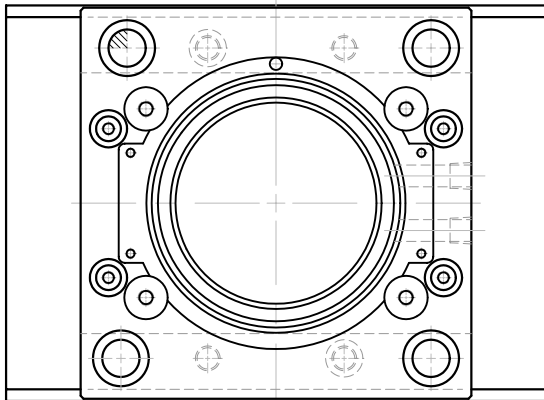
COPYRIGHT © PLEASANT PRECISION, INC.®
1999, 1999, 1999, 1999, 1999, 2000. ALL RIGHTS RESERVED

ROUND MATE[®]
HEATED DOUBLE
STRIPPER MASTER FRAME



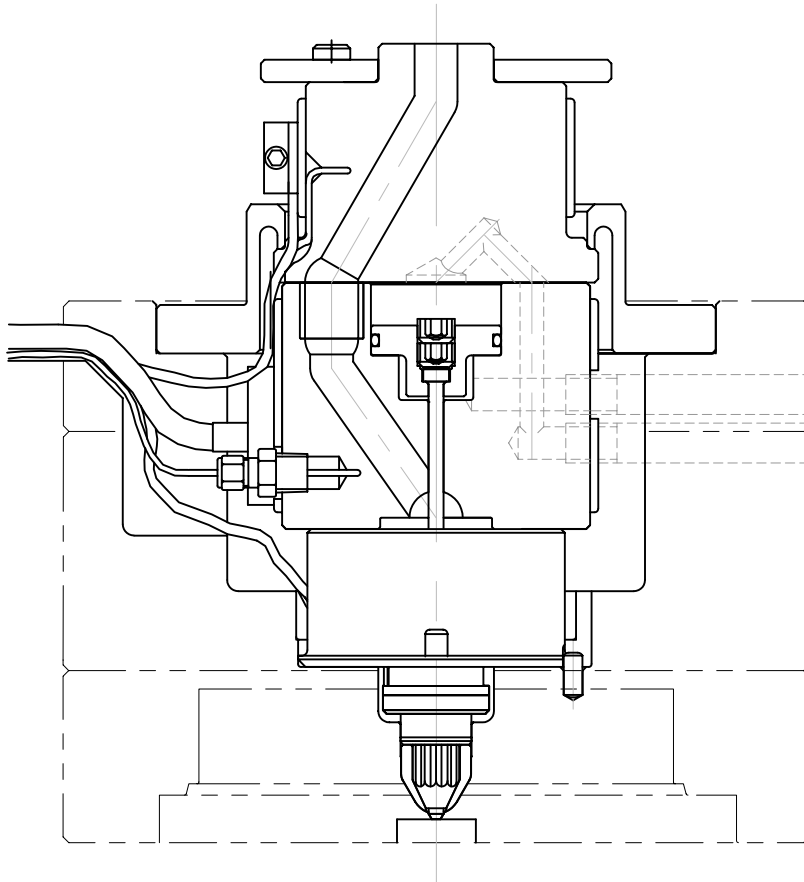
COPYRIGHT © PLEASANT PRECISION, INC.®
1991, 1993, 1997, 1998, 1999, 2000 ALL RIGHTS RESERVED

ROUND MATE®
DOUBLE STRIPPER
MASTER FRAME



COPYRIGHT © PLEASANT PRECISION, INC.®
1991, 1993, 1997, 1998, 1999, 2000 ALL RIGHTS RESERVED

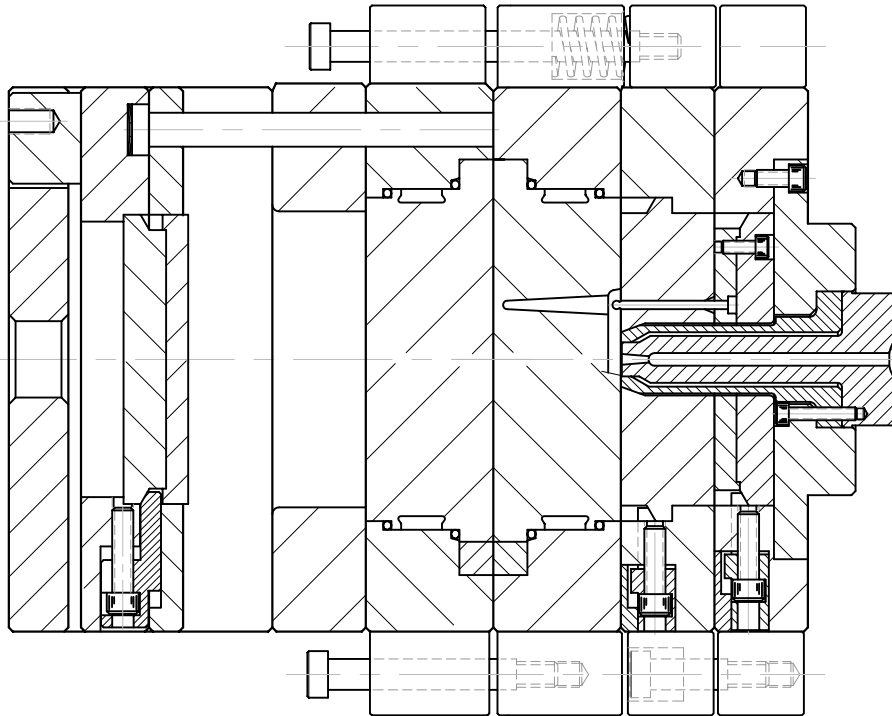
ROUND MATE®
MASTER UNIT FRAME



COPYRIGHT © PLEASANT PRECISION, INC.®
1991, 1993, 1997, 1998, 1999, 2000. ALL RIGHTS RESERVED

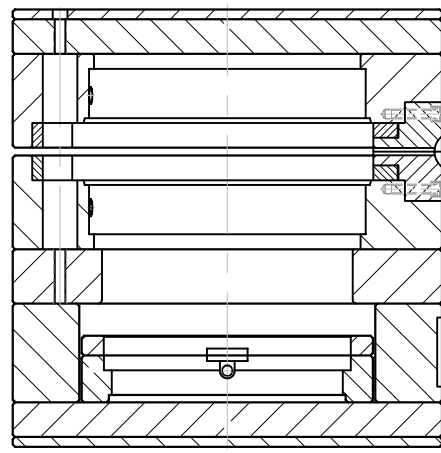
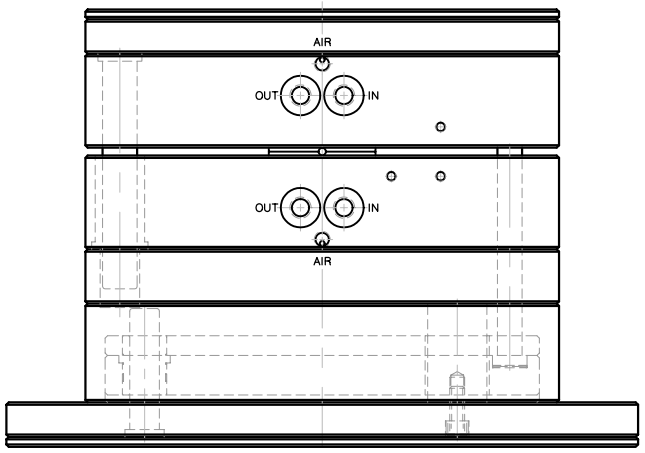
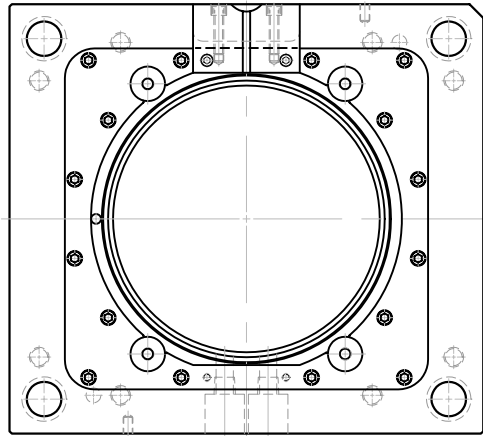
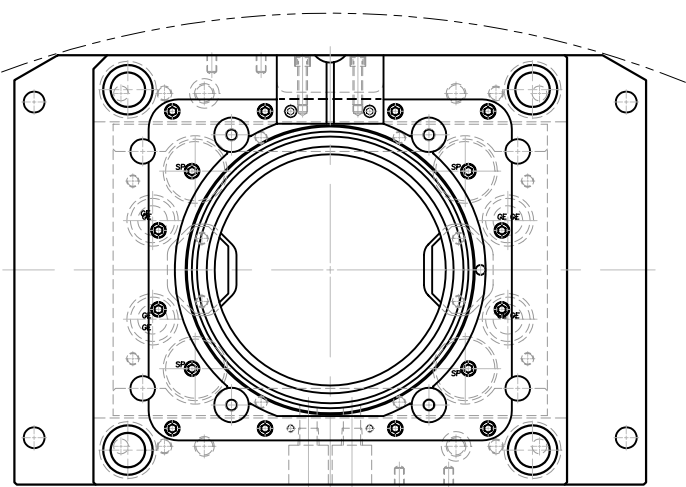
HUSKEE VALVE GATE
FOR ROUND MATE
MASTER FRAME

ROUND MATE[®] 3 PLATE
DROPS CAN BE POSITIONED
TO CENTER-GATE A CRITICAL
PART OR IN DIFFERENT
LOCATIONS FEEDING
MULTIPLE CAVITIES.



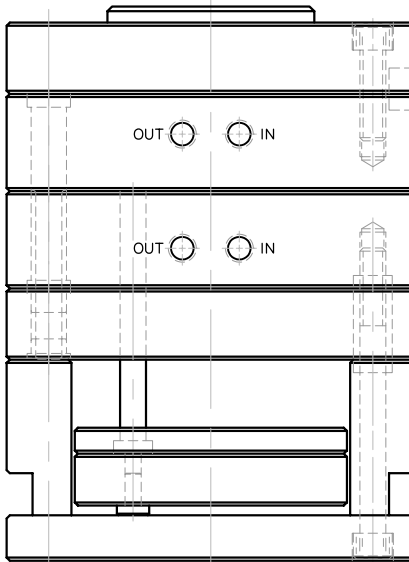
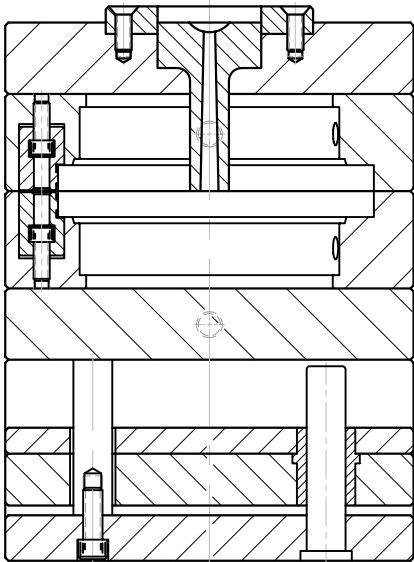
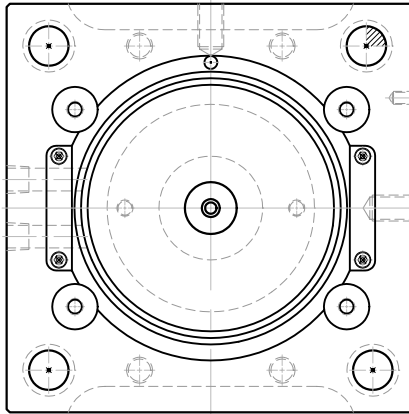
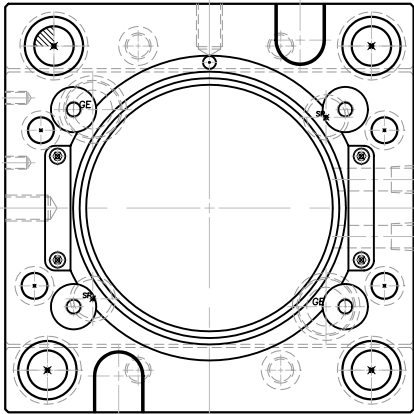
COPYRIGHT © PLEASANT PRECISION, INC.®
1991, 1993, 1997, 1998, 1999, 2000 ALL RIGHTS RESERVED

3 PLATE
HOT BUSHING



COPYRIGHT © PLEASANT PRECISION, INC.®
 1991, 1993, 1997, 1998, 1999, 2000 ALL RIGHTS RESERVED

SHUTTLE MASTER
 FRAME



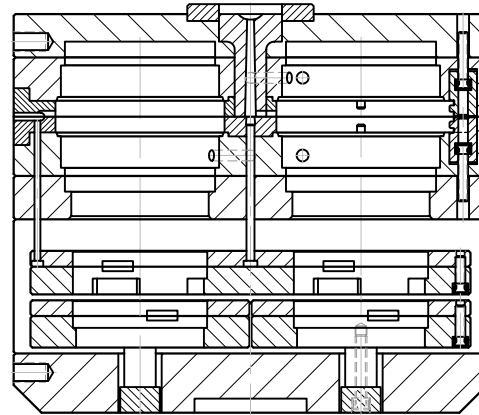
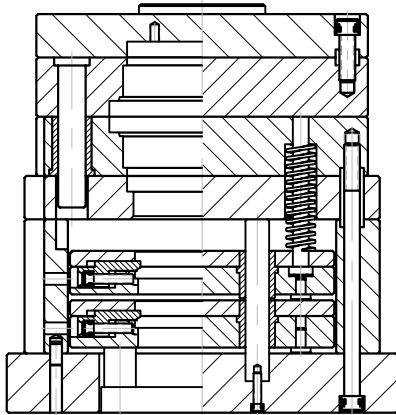
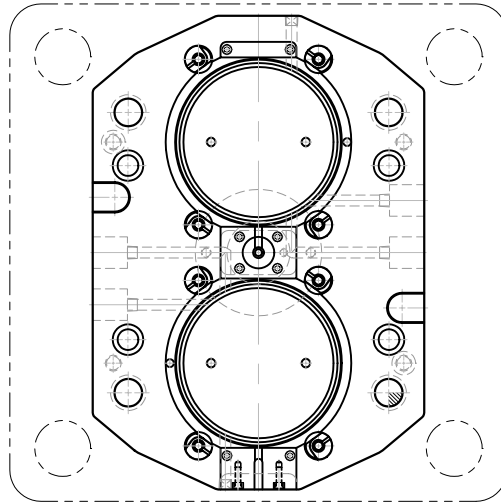
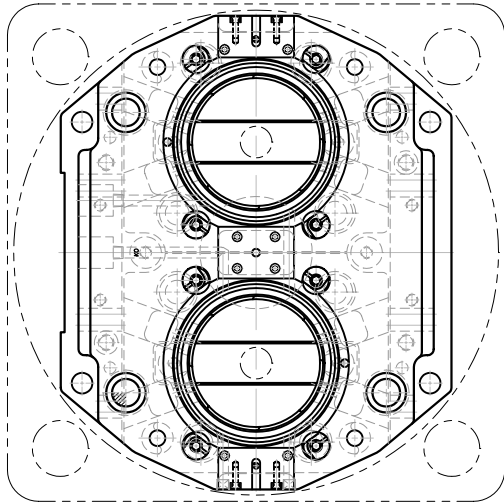
* A STANDARD BASE PREMACHINED FOR A ROUND MATE INSERT.

* INSERT NOT INTENDED TO BE INTERCHANGABLE.

* PRICE IS COMPETITIVE TO STANDARD MOLD BASES.

COPYRIGHT © PLEASANT PRECISION, INC.®
1991, 1993, 1997, 1998, 1999, 2000. ALL RIGHTS RESERVED

ROUND MATE®
DEDICATED MOLD
BASE



COPYRIGHT © PLEASANT PRECISION, INC.®
1991, 1993, 1997, 1998, 1999, 2000 ALL RIGHTS RESERVED

TWO POSITION
DOUBLE INJECTION
MASTER FRAME