



# Three Plate Guide

C R E A T E D B Y

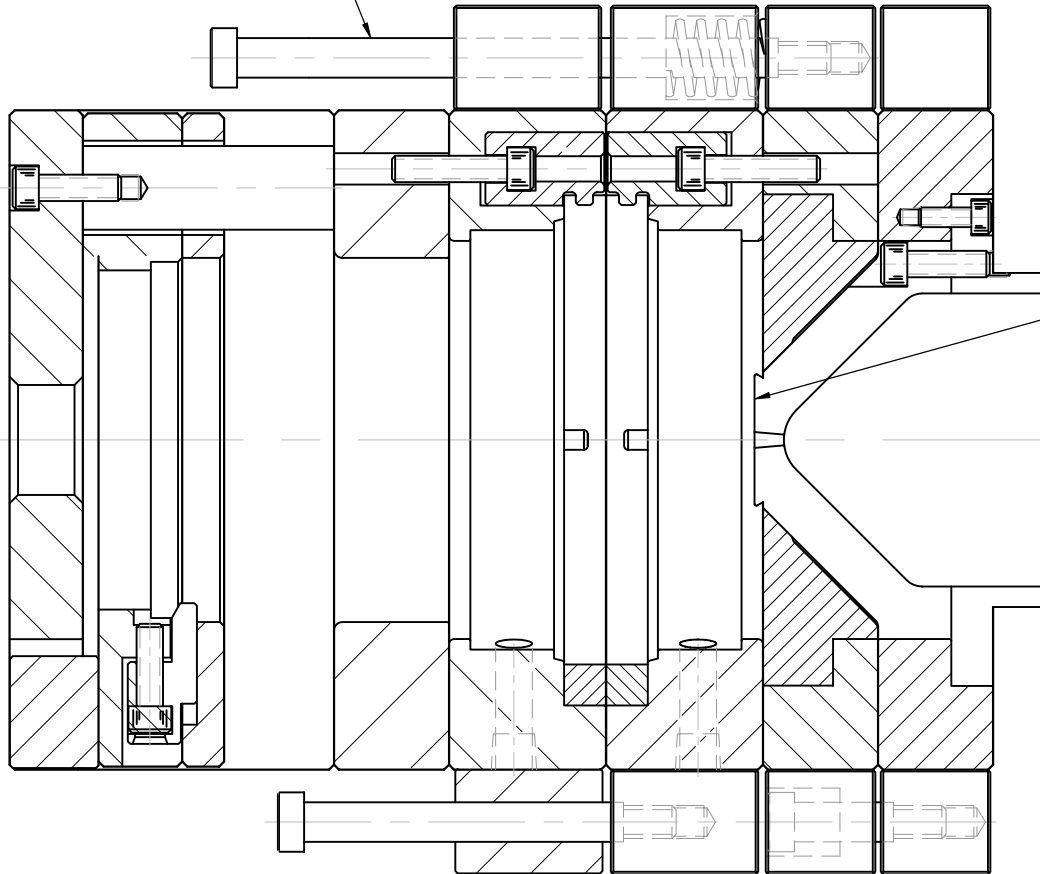


**AVAILABLE EXCLUSIVELY FROM  
TEAM PPI 1-800-860-3974**

Round Mate® is a Trademark of Pleasant Precision, Inc.®  
U.S. Pat. #4,828,479 4,959,002 5,261,806 5,647,114 5,916,603 6,168,415B1 Europe 666,789 Other Pat. Pending

Shoulder bolts are used to  
obtain precise mold movements.

Springs between the 'X' &  
'A' plate forces Master  
Frame to open here first.



Large or small  
puller ring available.

### THREE PLATE MASTER FRAME ADAPTER

Parting Line #2

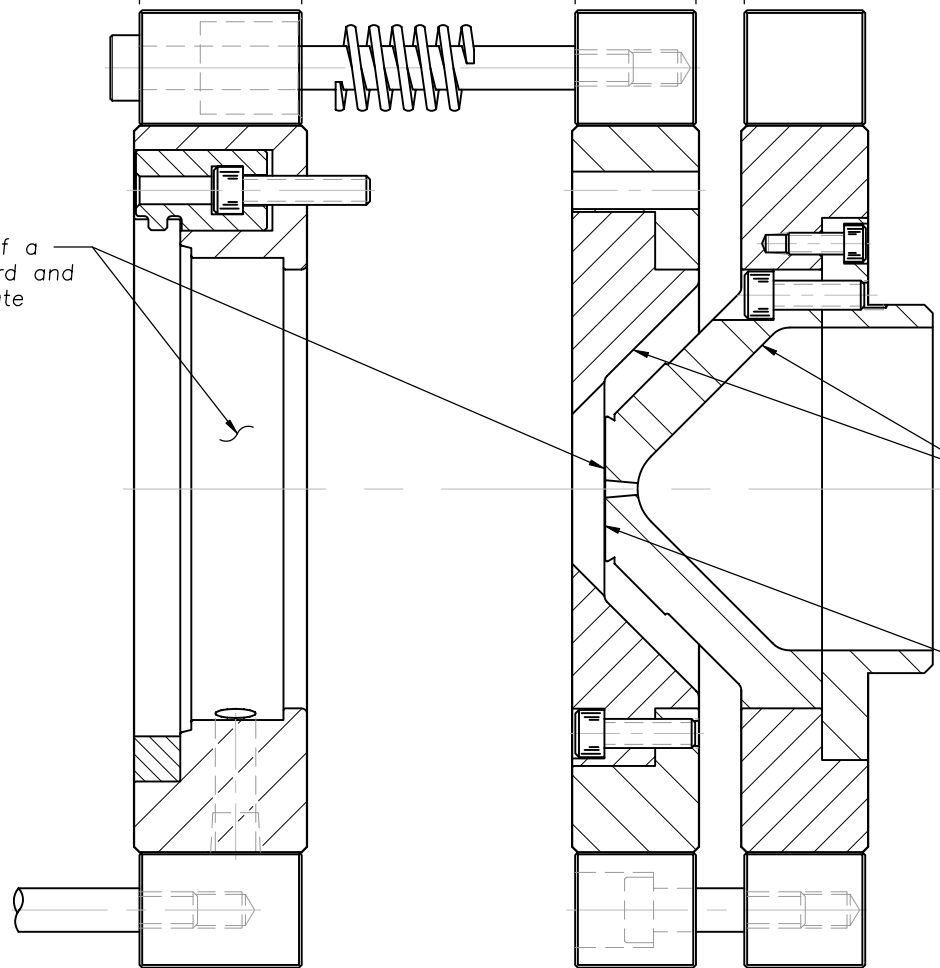
Parting Line #1

Parting Line #3

Through the use of a puller ring, standard and in stock Round Mate inserts are used.

Both pieces are heat treated for longevity.

A common puller means no more puller pins to be made for every mold.

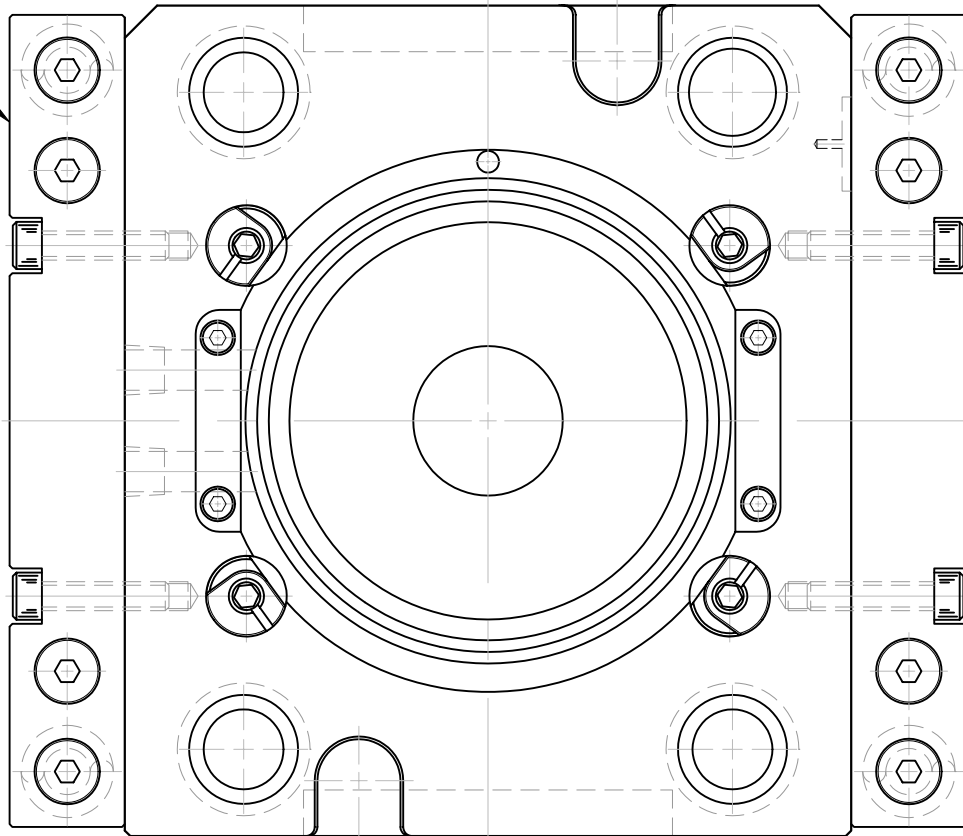


### THREE PLATE MASTER FRAME ADAPTER

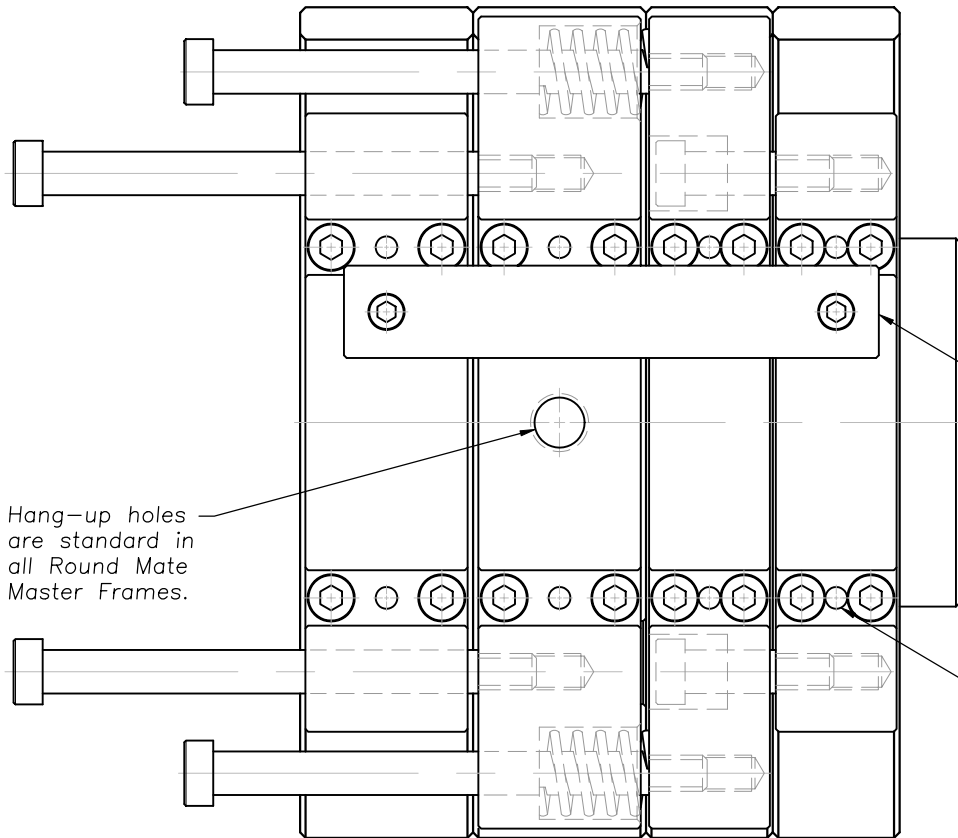
**(800) 860-3974**

T2

Self contained bars allow all three plate components to be housed out side of the base. This allows for faster adjustments to the plate seperations.



THREE PLATE  
MASTER FRAME  
PLAN VIEW

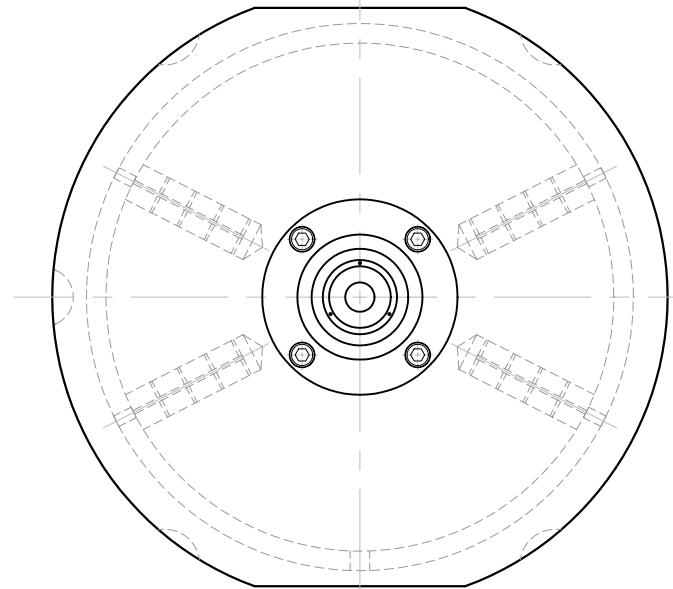
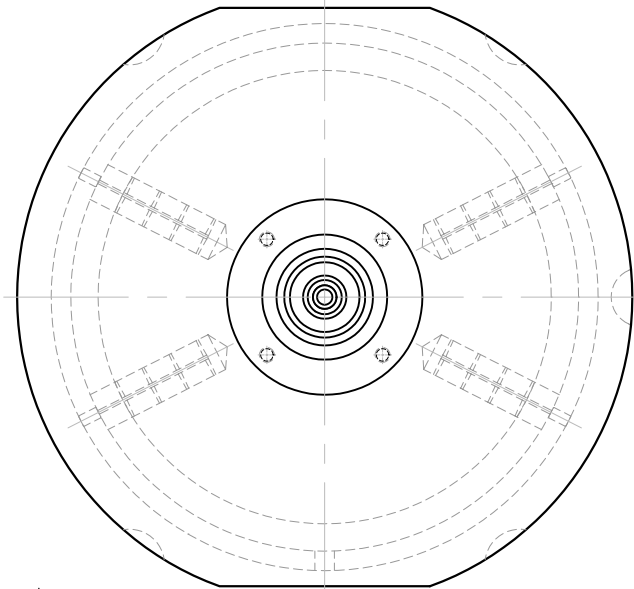


Hang-up holes are standard in all Round Mate Master Frames.

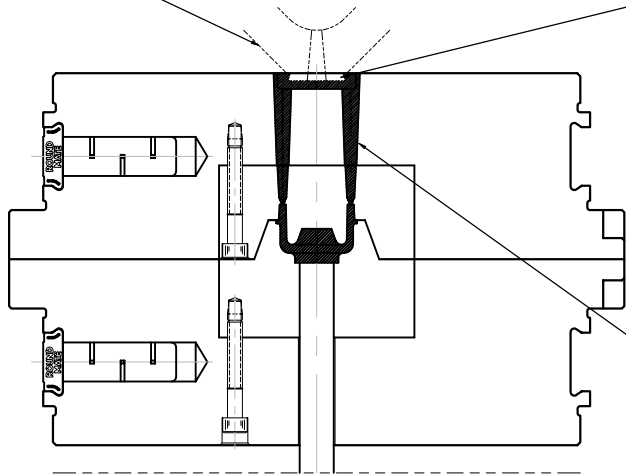
Safety straps are standard in all Round Mate Master Frames.

Dowels provide positive alignment of all three plate components.

THREE PLATE  
MASTER FRAME  
SIDE VIEW



Small puller shown.



Round Mate's puller design allows flexibility for gating locations. The puller works without the cost of you producing puller pins.

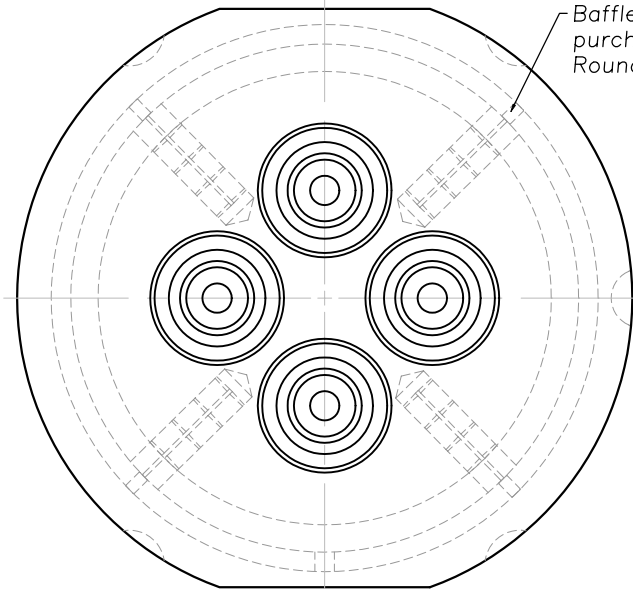
The Round Mate three plate master frame is a great way to get mutable gates into a part.

THREE PLATE  
ROUND MATE  
INSERT SET

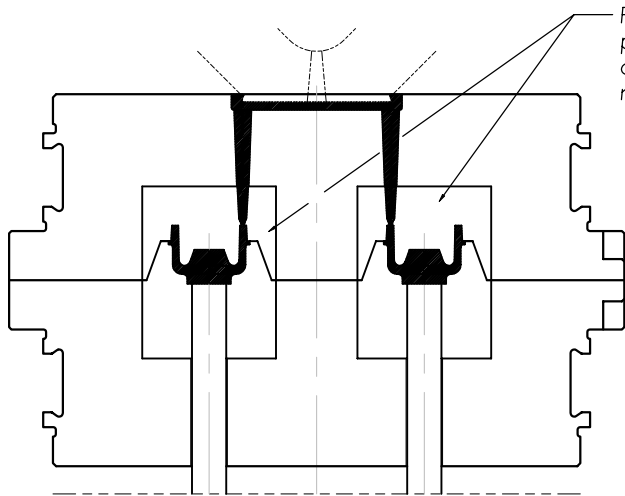
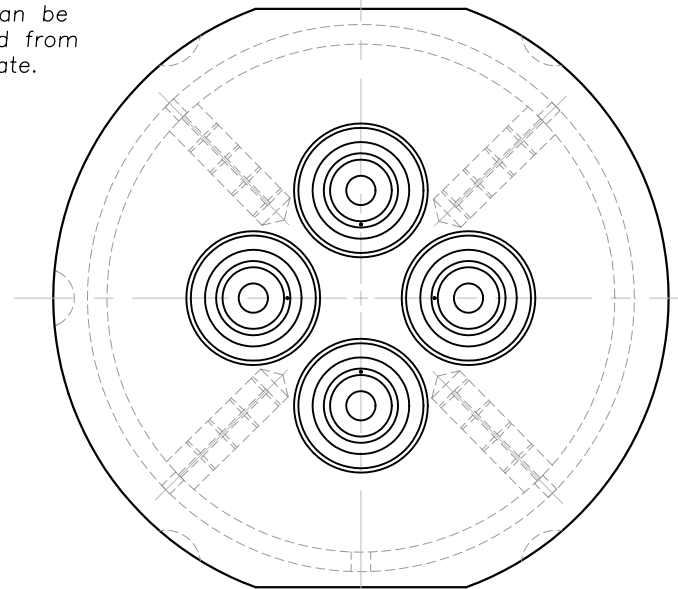
**(800) 860-3974**

T5





Baffles can be purchased from Round Mate.



Round Mate's three plate Master Frame can be used for multiple part gating.

THREE PLATE  
ROUND MATE  
INSERT SET

**(800) 860-3974**

T7